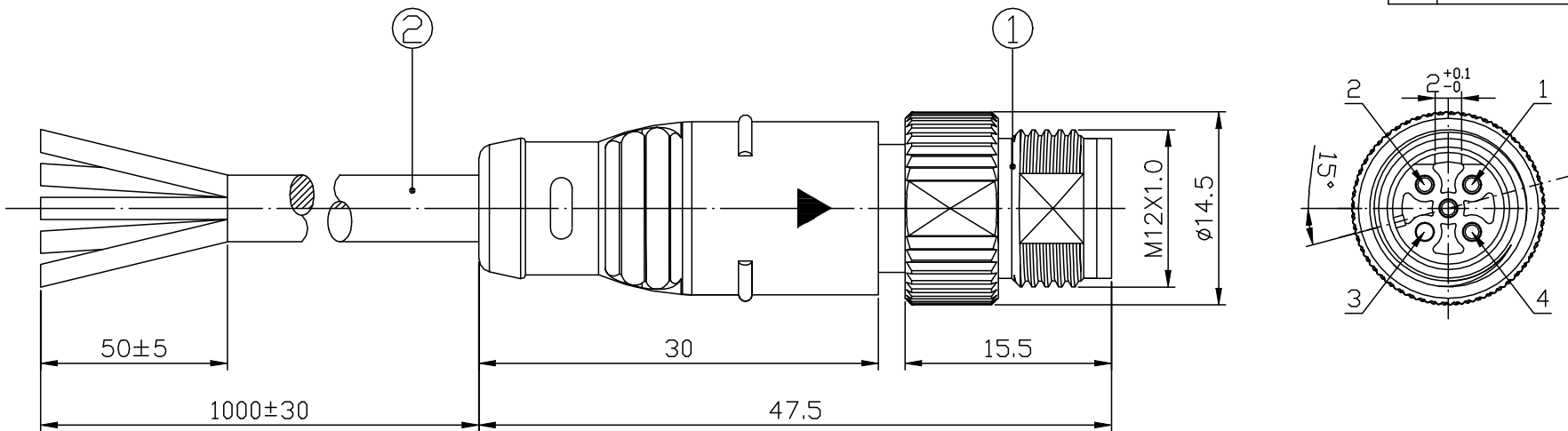


1		2		3		4		5		6		7		8	
THIS DRAWING AND THE DATA DISCLOSED HEREIN OR HEREWITH IS NOT TO BE REPRODUCED USED OR DISCLOSED IN WHOLE OR IN PART TO ANYONE WITHOUT THE PERMISSION OF JESS-LINK PRODUCTS CO.,LTD.(JPC)				CUSTOMER DRAWING				DRWC-001157		REV.	ECN NO.	DESCRIPTION	MDF'D	APP'D	DATE
										01		INITIAL DESIGN	Ronnie	Richard	11/24/2021
										02					
										03					

NO	PAT. NO	NAME	MATL	SHT	TREAT	REMARK
1	TNPM-D624-PM-R	4 PIN CONNECTOR	_____	1	_____	_____
2	V#22B4C-R	CABLE	_____	1M	_____	UL 22AWG

Items	Electrical specifications
Rated current/voltage	AC/DC 5V-5mA min. AC/DC 125V-3A max.
Withstanding voltage	AC 300V(rms) for 1 minute
Insulation resistance	100MΩ min. at DC 500V

No.	Cord color
1	BROWN
2	WHITE
3	BLUE
4	BLACK



<b>RoHS COMPLIANT</b>	Unit: mm(inch)	PROJECTION	<b>JPC connectivity</b>	
	GENERAL TOLERANCES: (UNLESS SPECIFIED)			
	0 = ±1 (0.039)	D.R. 11/24/2021	TITLE	PD./FILE NO.
	0.0 = ±1.5 (0.02)	Ronnie	M12 D-Code 4pin Plug Male Cable 1M to open	
0.00 = ±.3 (0.012)	CH.K 11/24/2021	SCALE	SIZE	
0.000 = ±.15 (0.006)	Brady	2:1	A4	
0° = ± 2'	APV.D 11/24/2021	PART NO.	REV. 01	
0.0° = ± 1'	Richard	PZBACP010-0003	SHEET 1 OF 1	