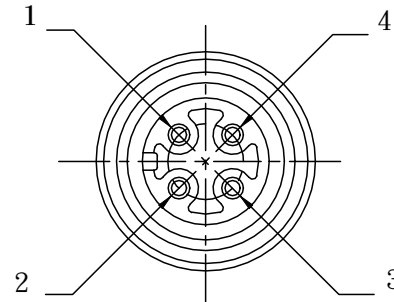
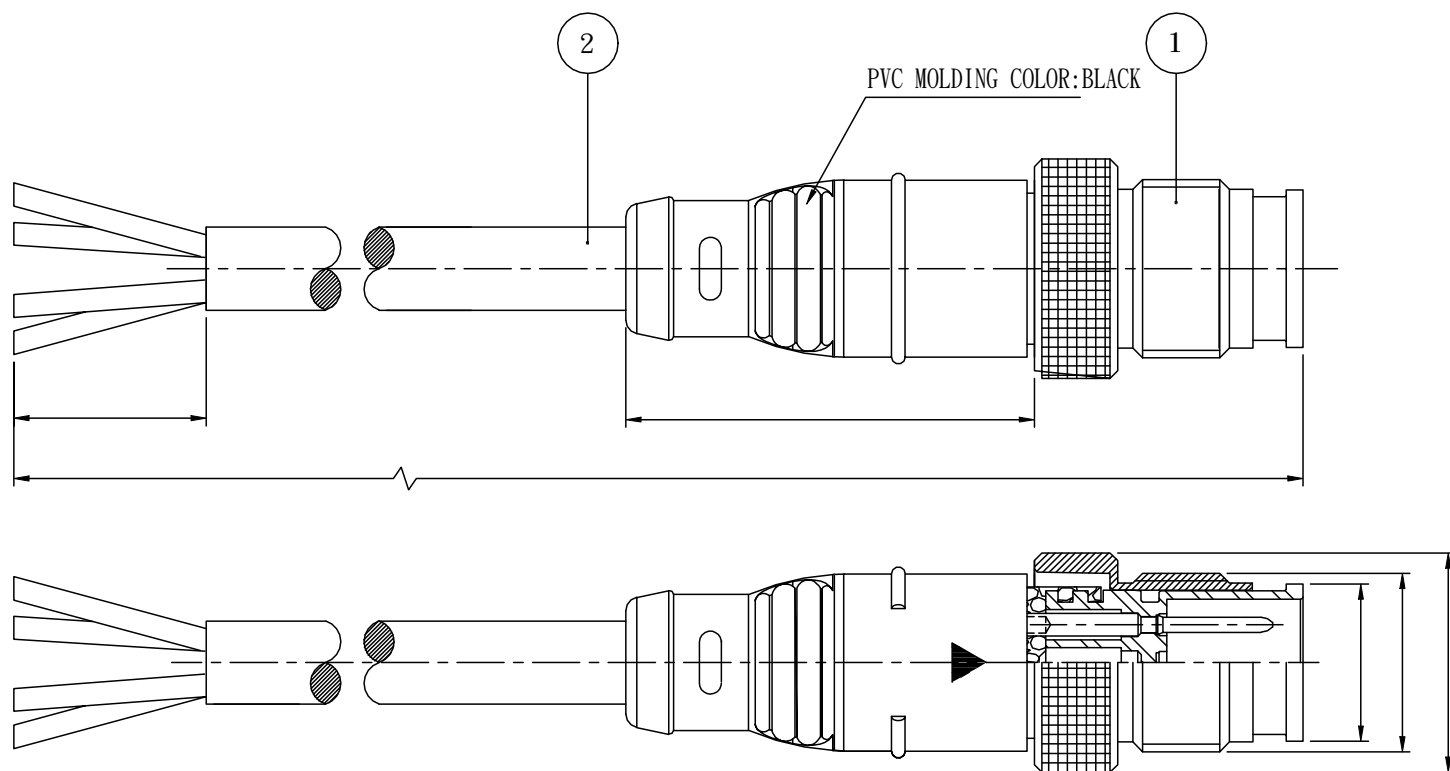


1		2		3		4		5		6		7		8	
THIS DRAWING AND THE DATA DISCLOSED HEREIN OR HEREWITH IS NOT TO BE REPRODUCED USED OR DISCLOSED IN WHOLE OR IN PART TO ANYONE WITHOUT THE PERMISSION OF JESS-LINK PRODUCTS CO.,LTD.(JPC)				CUSTOMER DRAWING				DRWC-001149		REV.	ECN NO.	DESCRIPTION	MDF'D	APP'D	DATE
										01		INITIAL DESIGN	Ronnie	Richard	11/24/2021
										02					
										03					

NO	PAT. NO	NAME	MATL	SHT	TREAT	REMARK
1	TNPM-624-PMG-R	4 PIN CONNECTOR	_____	1	_____	_____
2	V#22B4C-R	WIRE	_____	1.05m	_____	_____

Items	Electrical specifications
Rated current/voltage	AC/DC 5V-5mA min. AC/DC 250V-4A max.
Withstanding voltage	AC 1000V(rms) for 1 minute
Insulation resistance	100MΩmin. at DC 500V
Contact resistance	40mΩmax. at DC 1A

Contact No.	Cord color
1	BROWN
2	WHITE
3	BLUE
4	BLACK



RoHS COMPLIANT	Unit: mm(inch)	PROJECTION	JPC connectivity			
	GENERAL TOLERANCES: (UNLESS SPECIFIED)					
	0 = ±1 (0.039)	D.R. 11/24/2021	TITLE	PD./FILE NO.		
	0.0 = ±5 (0.02)	Ronnie	M12 A-Code 4pin Plug Male Cable 1M to open			
0.00 = ±3 (0.012)	CH.K 11/24/2021	Brady	SCALE	SIZE	PART NO.	REV.
0.000 = ±1.5 (0.006)	APV.D 11/24/2021	Richard	2:1	A4	PZBACP010-0002	01
0° = ± 2'						SHEET
0.0° = ± 1'						1 OF 1