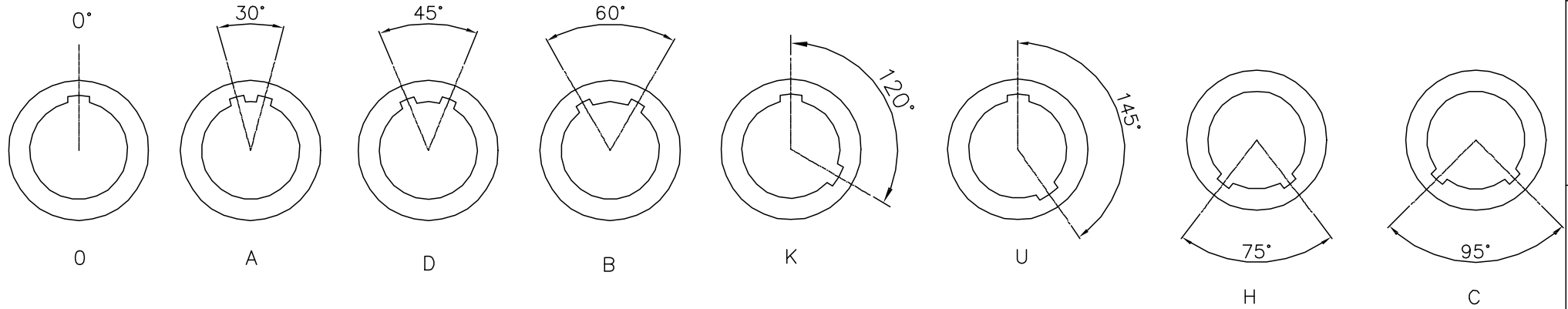
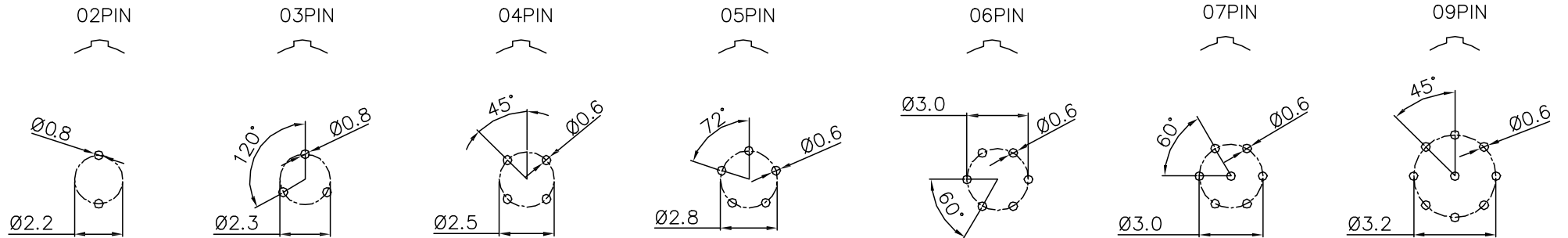


1	2	3	4	5	6	7	8					
	THIS DRAWING AND THE DATA DISCLOSED HEREIN OR HEREWITH IS NOT TO BE REPRODUCED USED OR DISCLOSED IN WHOLE OR IN PART TO ANYONE WITHOUT THE PERMISSION OF JESS-LINK PRODUCTS CO.,LTD.(JPC)				CUSTOMER DRAWING DRWC-XXXXXX		REV.	ECN NO.	DESCRIPTION	MDF'D	APP'D	DATE
							01		INITIAL DESIGN	Philip	Richard	07/10/2023
							02					
							03					

KEY ANGLES (RECEPTACLE FRONT VIEW):



PCB DRILLING PATTERN:



RoHS COMPLIANT	Unit:mm(inch)	PROJECTION 	ZCables.com		
	GENERAL TOLERANCES: (UNLESS SPECIFIED)	D.R. 07/10/2023			TITLE
	0 = ±1 (0.039)	Philip	K Series , OK Size , Fixed Socket , 6 Pin , Brass , Female Solder Contact		
	0.0 = ±.5 (0.02)	CH.K 07/10/2023			
0.00 = ±.3 (0.012)	Philip	SCALE	SIZE	PART NO.	REV. 01
0.000 = ±.15 (0.006)	APV.D 07/10/2023	1:1	A4	PZACFOKXD13061	SHEET 2 OF 2
0° = ± 2'	Richard				
0.0° = ± 1'					