

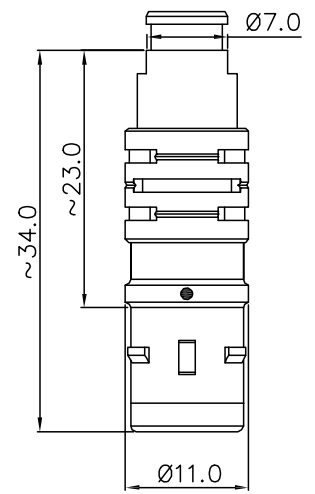
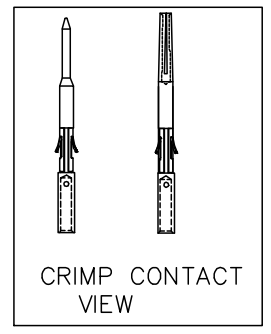
1	2	3	4	5	6	7	8				
THIS DRAWING AND THE DATA DISCLOSED HEREIN OR HEREWITH IS NOT TO BE REPRODUCED USED OR DISCLOSED IN WHOLE OR IN PART TO ANYONE WITHOUT THE PERMISSION OF JESS-LINK PRODUCTS CO.,LTD.(JPC)				CUSTOMER DRAWING DRWC-XXXXXX		REV.	ECN NO.	DESCRIPTION	MDF'D	APP'D	DATE
						01		INITIAL DESIGN	Philip	Richard	07/10/2023
						02					
						03					

POSITIONS	02 PIN	03 PIN	04 PIN	05 PIN	06 PIN	07 PIN	09 PIN
VIEW FROM TERMINATION SIDE PIN PART							

- NOTE:
- MATERIAL AND FINISH
SHELL ASSEMBLY: COPPER ALLOY, OUTER SHELL AND COLLECT NUT Cr PLATING, OTHER METALLIC COMPONENTS Ni PLATING.
INSULATOR: PEEK
CONTACT: COPPER ALLOY, GOLD PLATING OVER Ni.
 - DURABILITY: 5000 CYCLES
 - PROTECTION INDEX(MATED): IP66/IP68, IP68 ACHIEVED PROVIDING THAT THE CABLE IS PERFECTLY CIRCULAR AND THAT ASSEMBLY PROCESS ENSURES A HIGH INTEGRITY SEAL.
 - HUMIDITY: UP TO 95% AT 60°C
 - TEMPERATURE: -55°C, +200°C
 - ROHS COMPLIANCE.
 - PART NO.:

R - F O K S * * O * C 1 0 * *

CONTACT POS. 02-09=2pin-09pin	CABLE OD
SHELL MATERIAL 0=Brass	10=OD: 1.0mm-1.2mm
CODE CONTACT TYPE	15=OD: 1.3mm-1.5mm
2 Male Solder Contact	20=OD: 1.6mm-2.0mm
4 Female Solder Contact	25=OD: 2.1mm-2.5mm
C Crimp Male Contact	30=OD: 2.6mm-3.0mm
M Crimp Female Contact	35=OD: 3.1mm-3.5mm
COLLET NUT	40=OD: 3.6mm-4.0mm
1=Nut for fitting a bend relief	45=OD: 4.1mm-4.5mm
	50=OD: 4.6mm-5.0mm
	CODE KEY ANGLES
	0 0°
	A 30°
	* **



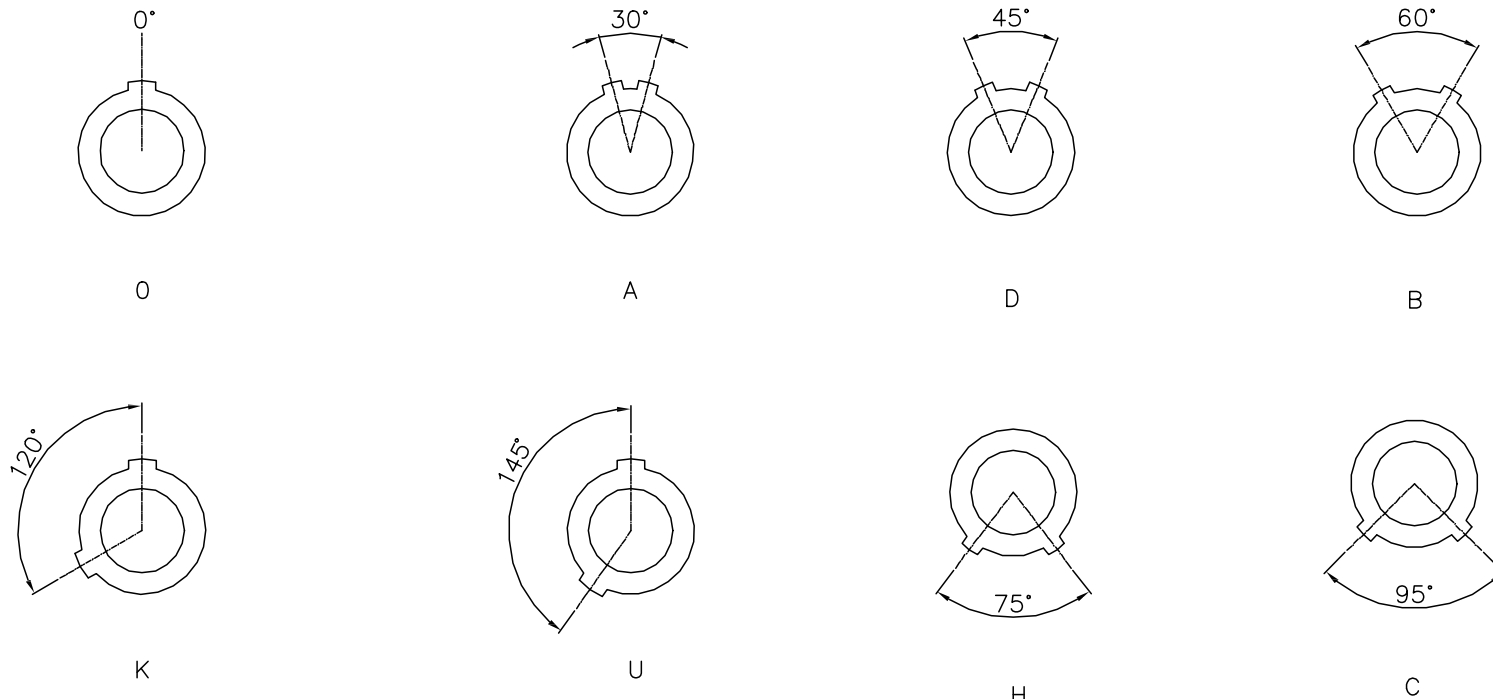
RoHS COMPLIANT	Unit:mm(inch)	PROJECTION	ZCables.com	
	GENERAL TOLERANCES: (UNLESS SPECIFIED)	D.R. 07/10/2023	TITLE	PD./FILE NO.
	0 =±1 (0.039)	Philip	K Series , OK Size , Straight Plug , 6 Pin , Brass , Male Solder Contact	
	0.0 =±.5 (0.02)	CH.K 07/10/2023	Philip	
0.00 =±.3 (0.012)	APV.D 07/10/2023	Richard	PART NO.	REV. 01
0.000=±.15(0.006)			SCALE	SHEET 1 OF 2
0° =± 2'			SIZE	
0.0° =± 1'			A4	
			1:1	

1	2	3	4	5	6	7	8			
					REV.	ECN NO.	DESCRIPTION	MDF'D	APP'D	DATE
					01		INITIAL DESIGN	Philip	Richard	07/10/2023
					02					
					03					

THIS DRAWING AND THE DATA DISCLOSED HEREIN OR HEREWITH IS NOT TO BE REPRODUCED USED OR DISCLOSED IN WHOLE OR IN PART TO ANYONE WITHOUT THE PERMISSION OF JESS-LINK PRODUCTS CO.,LTD.(JPC)

CUSTOMER DRAWING
DRWC-XXXXXX

KEY ANGLES (PLUG FRONT VIEW):



RoHS COMPLIANT	Unit:mm(inch)	PROJECTION 	ZCables.com		
	GENERAL TOLERANCES: (UNLESS SPECIFIED)				TITLE
	0 =±1 (0.039)	D.R. 07/10/2023 Philip	K Series , OK Size , Straight Plug , 6 Pin , Brass , Male Solder Contact		
	0.0 =±.5 (0.02)	CH.K 07/10/2023 Philip			
0.00 =±.3 (0.012)	APV.D 07/10/2023 Richard	SCALE	SIZE	PART NO.	REV. 01
0.000=±.15(0.006)		1:1	A4	PZACF0KXA13061	SHEET 2 OF 2
0° =± 2'					
0.0° =± 1"					