

## High power series connector (45A series)



## PSL200 Series

PSL200 is a plastic high current connector used for the connection between battery packs for the applications in BMS and energy storage.

### Technical Data

Current Rating	200A
Voltage Rating	1500V AC
Dielectric Withstanding Voltage	3000V AC
Operating Temperature Range	-40 °C to +125 °C
Mating Cycles	500 times Min.
Connector Type	Plug
Part Number	PCNBC003RC78-0

### Product Features

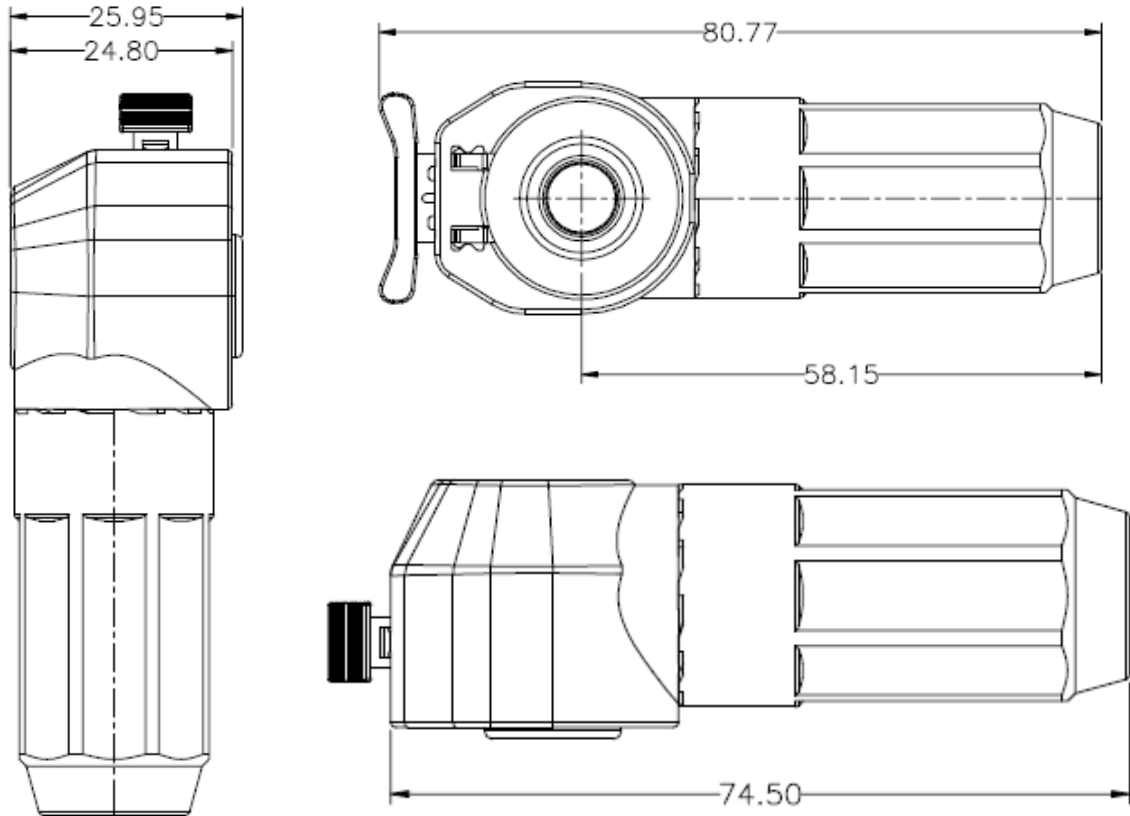
Automatic Secondary Lock	YES
--------------------------	-----

### Application

Energy Storage System
High Power Application

PSL200

## Plug Interface Dimensions



## Product Profile

