

Infotainment series cable



HSD cable

Mini Fakra Cable

Technical Data

Impedance	100Ω +/-10
Coding	A、B、C、D、E、F、Z
Operating Temperature	-40°C to +105°C
Insulation resistance	1000Ω

Product Features

Cable Material	PVC
Length	2M

Application

Advanced Driver Assistance Systems (ADAS)

Multimedia

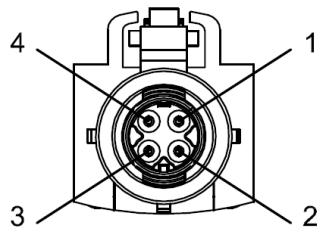
Infotainment

GPS

Navigation

HSD cable

Plug Interface Dimensions



Front View
Side A

PIN OUT

Side A

Side B

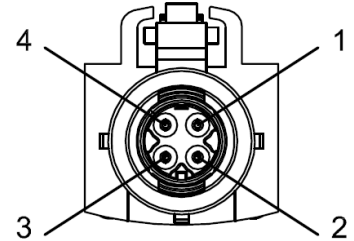
1 — BLUE — 4

2 — ORANGE — 3

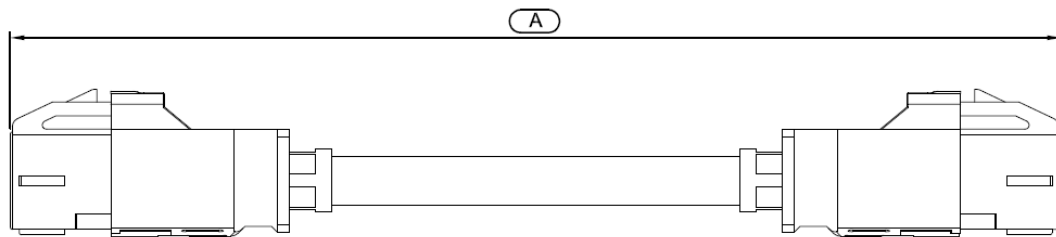
3 — GREEN — 2

4 — BROWN — 1

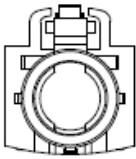
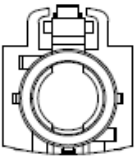
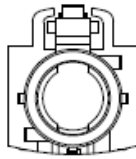
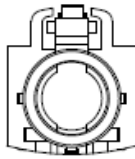
Shield — Shield

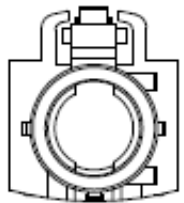
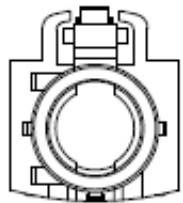
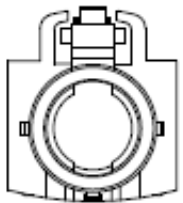


Front View
Side B



Key Direction

Coding	A	B	C	D
Plug				
Colour	black	white	blue	bordeaux
RAL	slm,9005	slm,9001	slm,5005	slm,4004

E	F	Z
		
green	brown	waterblue
slm,6002	slm,8001	slm,5021