

## Sensor cable



## M12 to M12 Ethernet

We can offering the most reliable customized cables for Field bus cables. The cable length can be freely specified. Standard distance model cable is 2/5/10 meter, If you need 1 meter or more, select a long distance model.

### Technical Data

Product Type	PZBJKD030-0002/PZBJKD050-0003 PZBJTD030-0001/PZBJTD050-0004 PZBQCD030-002/PZBQCD030-003 PZBQCD050-002/PZBQCD050-003
CAT	5E/6A
Outer Sheath	PUR/PVC Jacket
Cable cycles	10,000,000
Length	3M/5M
Position	X-Code
NO. Contact	8Pin

### Application

PROFINET

PROFIBUS

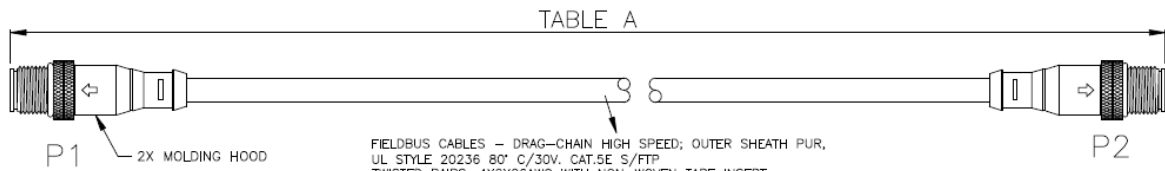
Ether CAT

Ethernet/IP

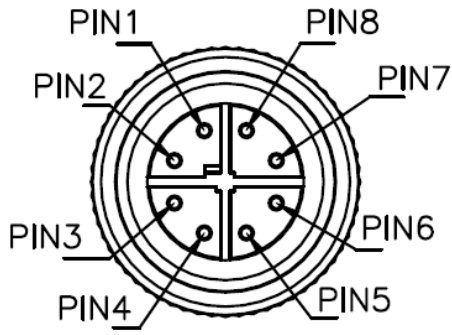
Device Net

## M12 to M12 Ethernet

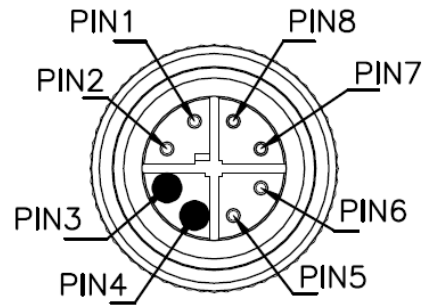
### Interface Dimensions



FIELDBUS CABLES – DRAG-CHAIN HIGH SPEED; OUTER SHEATH PUR,  
 UL STYLE 20236 80° C/30V. CAT.5E S/FTP  
 TWISTED PAIRS, 4X2X26AWG WITH NON-WOVEN TAPE INSERT,  
 CONDUCTOR EXTRA FLEXIBLE BARE COPPER, INSULATION POLYETHYLEN  
 SHIELD: AL/PET TAPE + TINNED COPPER BRAID O.C. ≥ 85%  
 SEPARATOR EASY STRIP-AWAY TAPE  
 OUTER SHEATH PUR, COLOR GREEN / RAL6018



FRONT VIEW



FRONT VIEW

## M12 to M12 Ethernet

We can offer the most reliable customized cables for Field bus cables. The cable length can be freely specified. Standard distance model cable is 2/5/10 meter, If you need 1 meter or more, select a long distance model.

### Technical Data

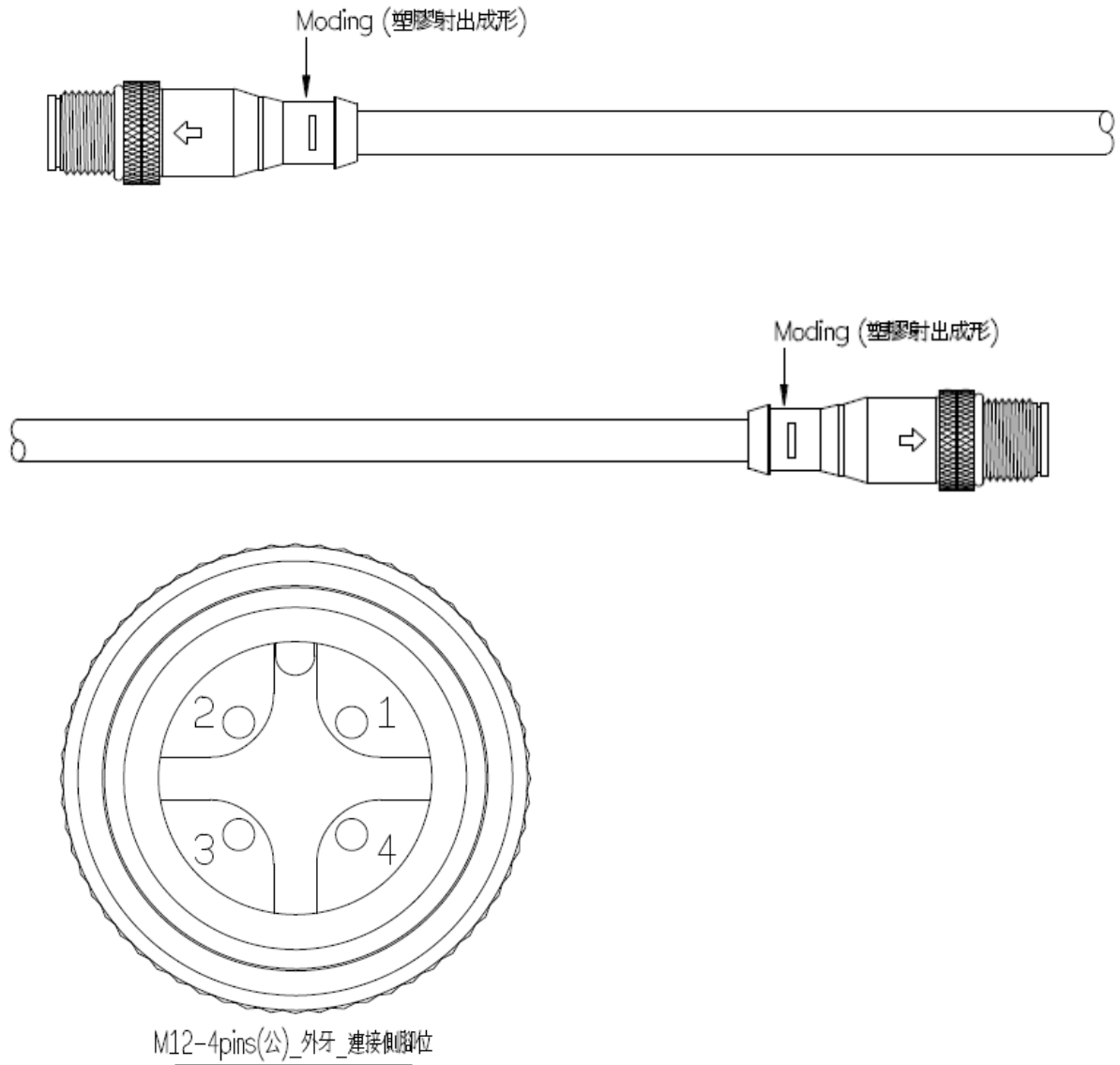
CAT	5E
Outer Sheath	PUR Jacket
Cable cycles	10,000,000
Length	3M
Position	A-Code
NO. Contact	4Pin
Product Type	PZBJKD030-0001/PZBJTD050-0002

### Application

PROFINET  
PROFIBUS  
Ether CAT  
Ethernet/IP  
Device Net

## M12 to M12 Ethernet

### Interface Dimensions



## M12 to M12 Ethernet

We can offer the most reliable customized cables for Field bus cables. The cable length can be freely specified. Standard distance model cable is 2/5/10 meter, If you need 1 meter or more, select a long distance model.

### Technical Data

CAT	5E
Outer Sheath	PUR Jacket
Cable cycles	10,000,000
Length	3M
Position	D-Code
NO. Contact	8Pin
Product Type	PZBQCD030-001/PZBQCD050-001

### Application

PROFINET

PROFIBUS

Ether CAT

Ethernet/IP

Device Net

## M12 to M12 Ethernet

### Interface Dimensions

