

Sensor cable



M12 to RJ45 Ethernet

We can offer the most reliable customized cables for Field bus cables. The cable length can be freely specified. Standard distance model cable is 2/5/10 meter, If you need 1 meter or more, select a long distance model.

Technical Data

CAT	5E
Outer Sheath	PUR Jacket
Cable cycles	10,000,000
Length	3M
Position	A-Code
NO. Contact	4Pin
Product Type	PZBJKB030-0001/PZBJKB050-0001

Application

PROFINET

PROFIBUS

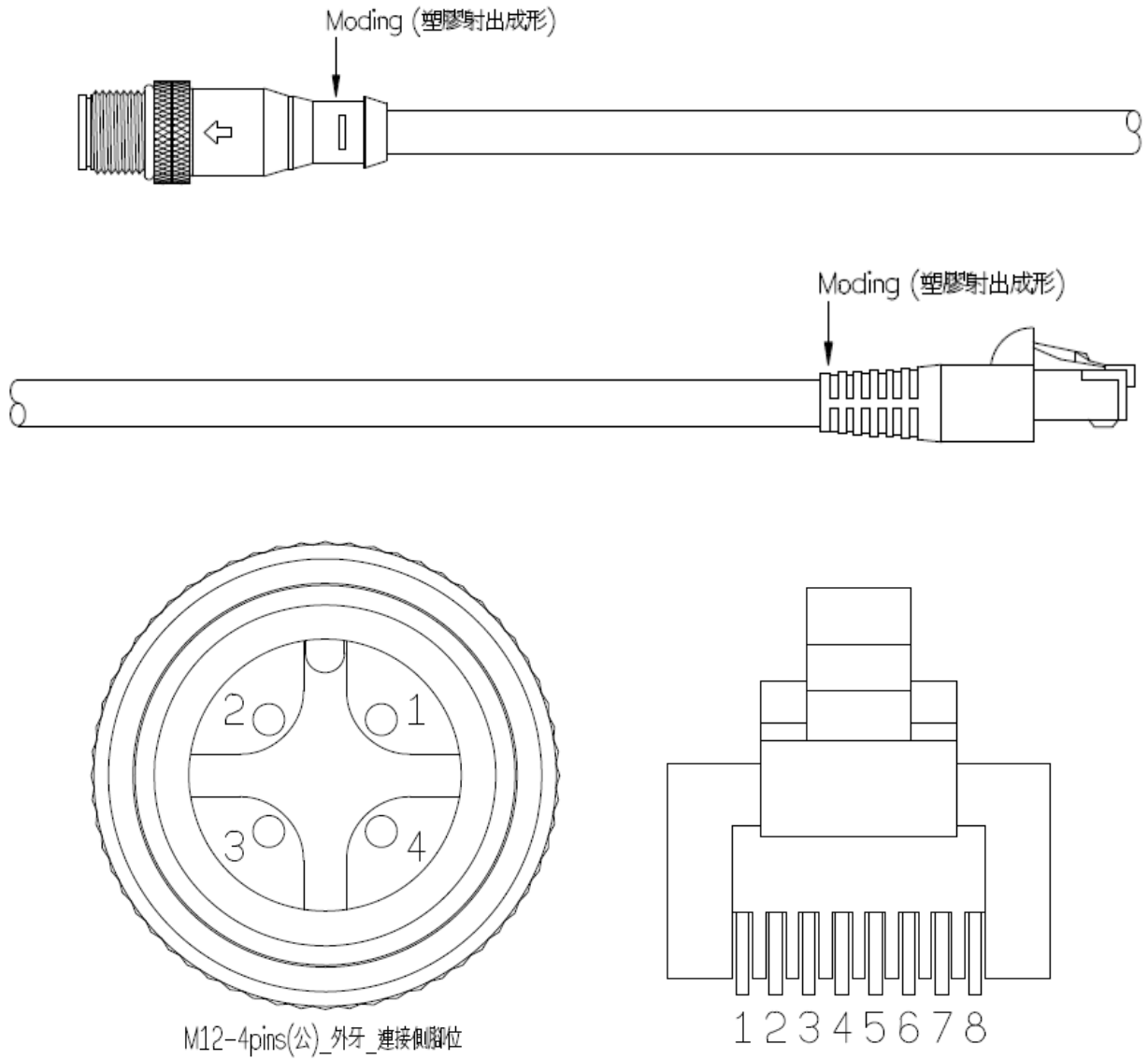
Ether CAT

Ethernet/IP

Device Net

M12 to RJ45 Ethernet

Interface Dimensions



M12 to RJ45 Ethernet

We can offering the most reliable customized cables for Field bus cables. The cable length can be freely specified. Standard distance model cable is 2/5/10 meter, If you need 1 meter or more, select a long distance model.

Technical Data

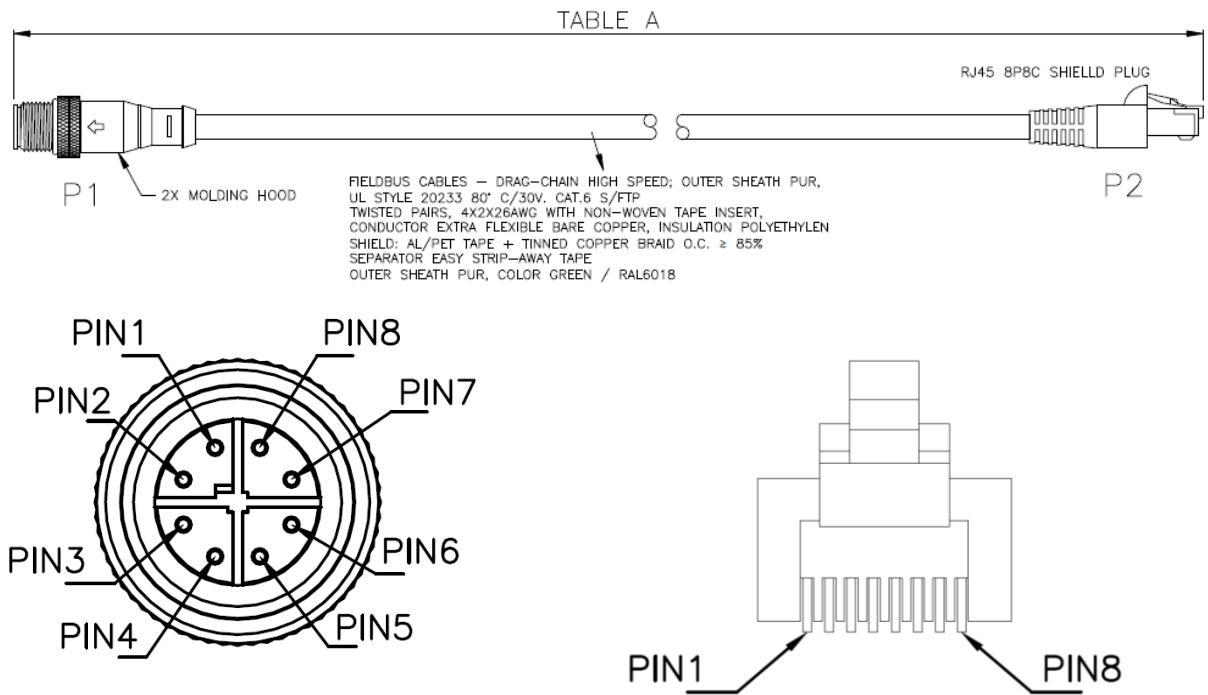
CAT	6A/5E
Outer Sheath	PUR/PVC Jacket
Cable cycles	10,000,000
Length	3M/5M
Position	X-Code
NO. Contact	8Pin
Product Type	PZBJKB030-0003/PZBJKB050-0002 PZBJKB030-0002/PZBJKB050-0003 PZBQKB030-002/PZBQKB030-003 PZBQKB050-002/PZBQKB050-003

Application

PROFINET
PROFIBUS
Ether CAT
Ethernet/IP
Device Net

M12 to RJ45 Ethernet

Interface Dimensions



M12 to RJ45 Ethernet

We can offering the most reliable customized cables for Field bus cables. The cable length can be freely specified. Standard distance model cable is 2/5/10 meter, If you need 1 meter or more, select a long distance model.

Technical Data

Product Type	PZBQKB030-001/PZBQKB050-001
CAT	5E
Outer Sheath	PVC Jacket
Cable cycles	None
Length	3M
Position	D-Code
NO. Contact	4Pin

Application

PROFINET
PROFIBUS
Ether CAT
Ethernet/IP
Device Net

M12 to RJ45 Ethernet

Interface Dimensions

