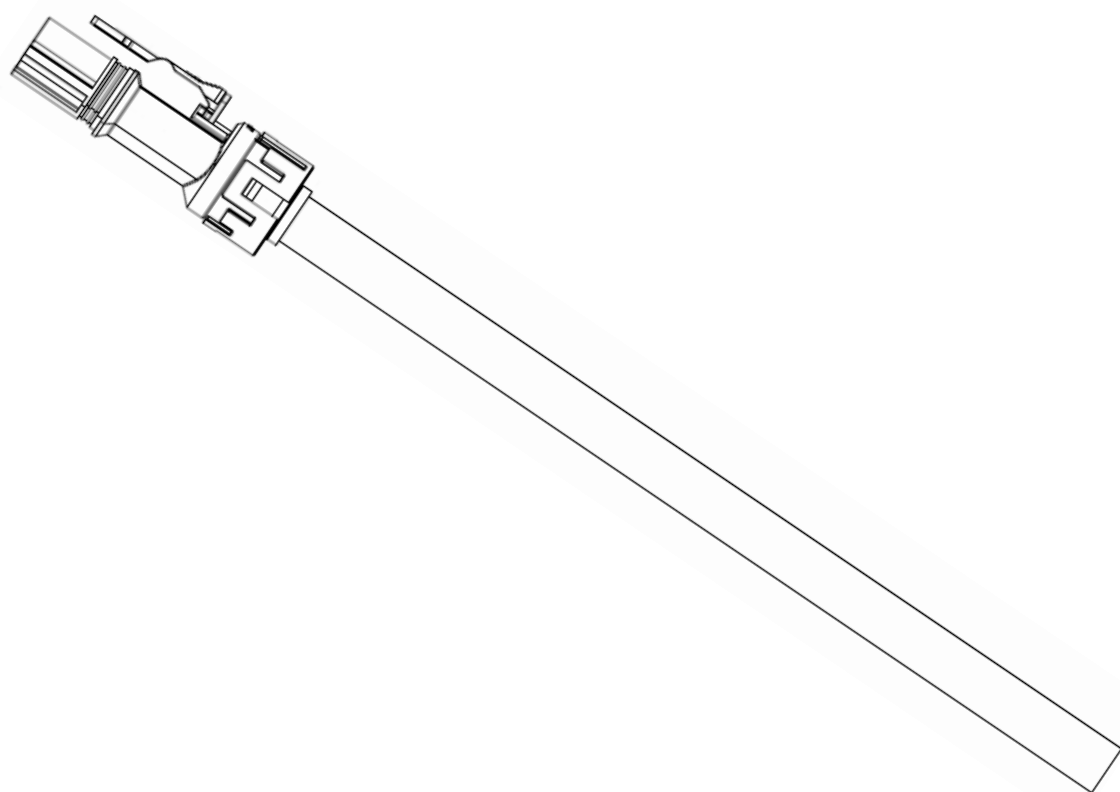


High power series cable



XL60 plug to open

XL60 is a two pole connector that suits applications for low current and high voltage interlock connector.

Technical Data

Current Rating	44A
Voltage Rating	1000V DC
Dielectric Withstanding Voltage	5000V AC
Operating Temperature Range	-40 °C to +125 °C
Material Flammability Rating	94V-0 ; GB/T 2408/2008
Product Type	PZBDUQ020-002

Product Features

Electrical interlock	Yes
Shielding	Yes/Optional
Automatic Secondary Lock	YES
Protection class	IP68(24H) · IP6K9K

Application

High Voltage Power Distribution Unit(PDU)

ECU/MCU

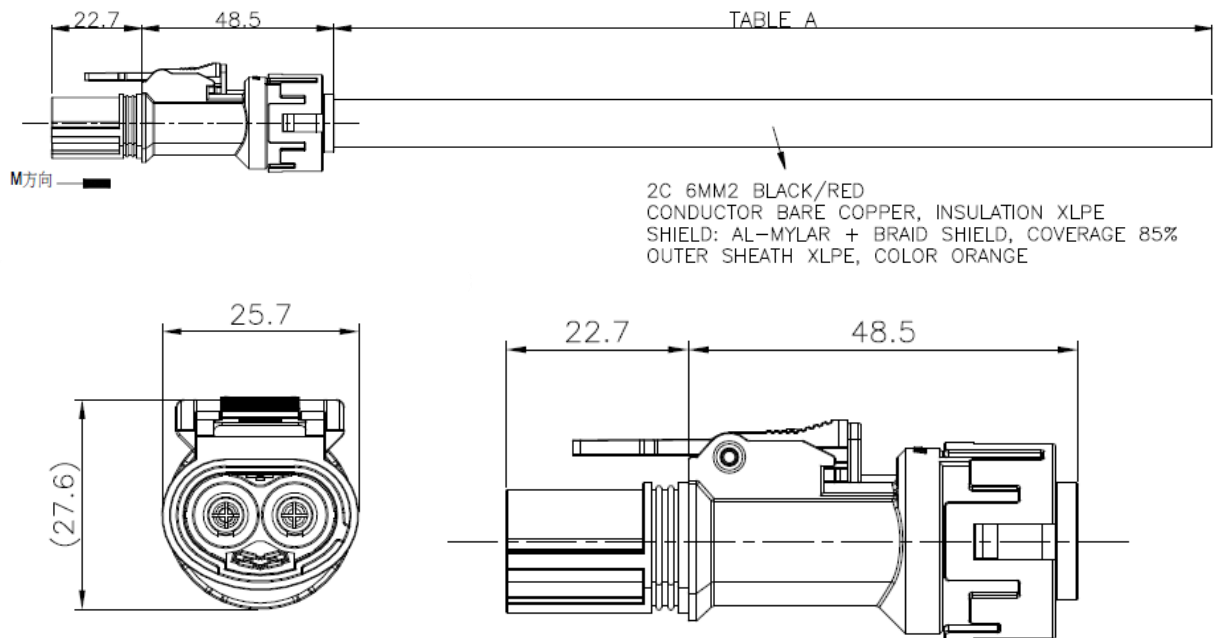
High Power Application

Industry Application

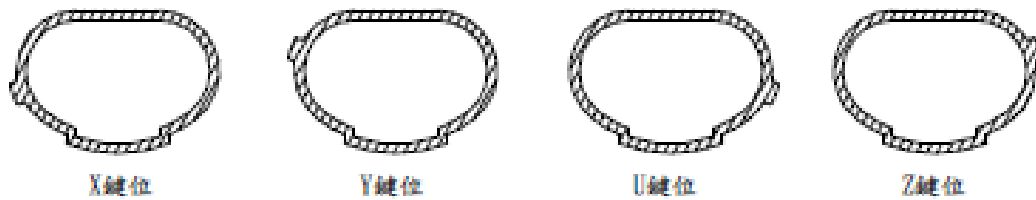
PTC

XL60 plug to open

Plug Interface Dimensions



Key Direction



Product Profile

