

## High power series cable



## TL200 to open cable

TL200 is a single pole metal connector that uses JPC's unique helical multi contacts for high power solutions. With straight and right angle plugs, HVIL, and shields, TL200 provides a variety of product configurations to choose from.

### Technical Data

Current Rating	200A
Voltage Rating	1500V AC
Operating Temperature Range	-40 °C to +125 °C
Length	2M
wire diameter	50mm <sup>2</sup>
Conductive Resistance	2 ohm Max
Product Type	PZBDUQ020-001

### Product Features

Electrical interlock	Yes
Shielding	Yes/Optional
Automatic Secondary Lock	YES
Protection class	IP67

### Application

High Voltage Power Distribution Unit(PDU)

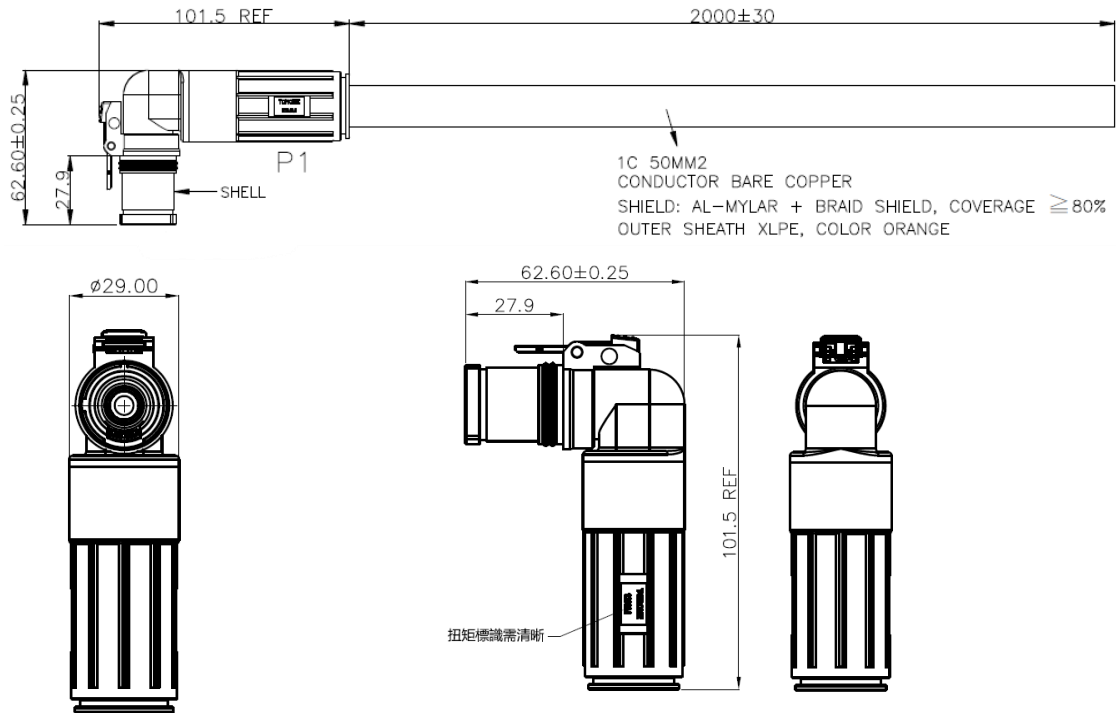
DC-DC Converter

High Power Application

Energy Storage System

## TL200

### Plug Interface Dimensions



### Key Direction

