

## High power series cable



**PSL200 cable**

PSL200 is a plastic high current connector used for the connection between battery packs for the applications in BMS and energy storage.

**Technical Data**

Current Rating	200A
Voltage Rating	1500V AC
Dielectric Withstanding Voltage	3000V AC
Operating Temperature Range	-40 °C to +125 °C
Conductive Resistance	2 ohm Max
Length	2M
Product Type	PZBDUQ010-001

**Product Features**

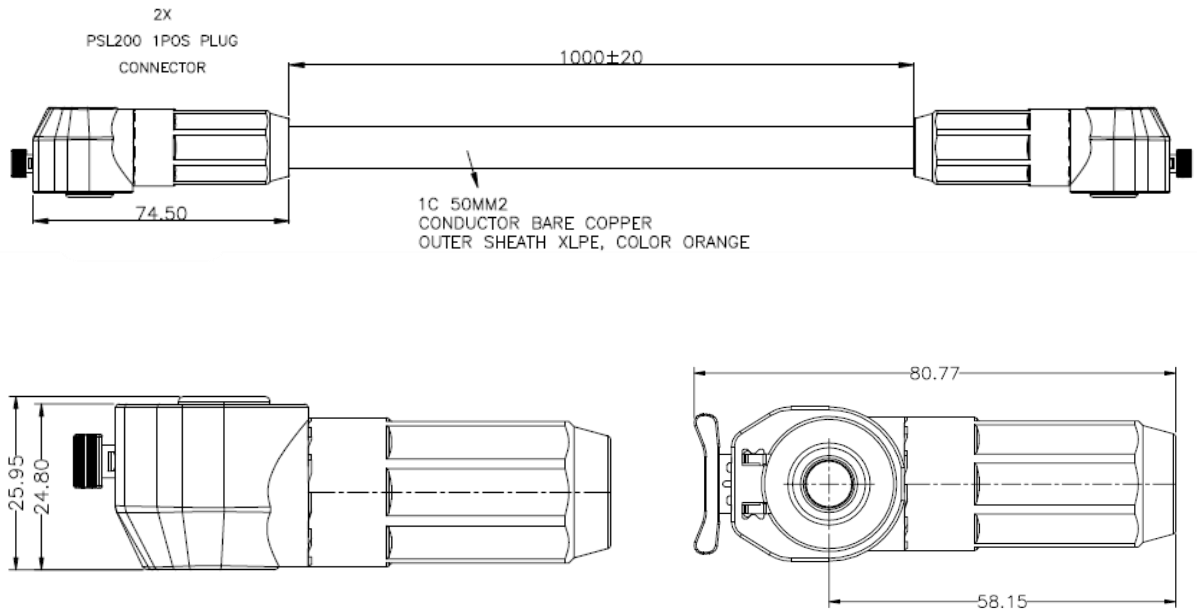
Automatic Secondary Lock	YES
Cable Size	3.5mm <sup>2</sup> /50mm <sup>2</sup>

**Application**

Energy Storage System  
High Power Application

## PSL200 cable

### Plug Interface Dimensions



### Product Profile

