

Sensor cable



M12 to open cable

Waterproof M12 series cable products are available to meet Industry 4.0 automation control equipment. Can be used at Signal Transmission, Power, Sensor and Cable Connection. We can customize waterproof series cable for user's requirements. IP67 Waterproof.

Technical Data

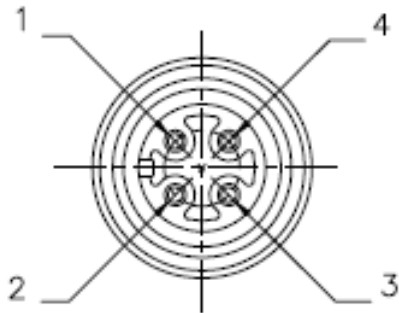
Current Rating	4
Voltage Rating	25
Dielectric Withstanding Voltage	1000
Operating Temperature Range	-20 °C to +80 °C
Repeated mating	100 times
Insulation resistance	500
Protection class	IP67
Product Type	PZBACP010-0002

Application

Servo Motors	Automobiles
Power	Electric Vehicles
Electronics & Electrical	Communication Equipment
Mechanical	Military Applications
Medical Equipment	Industrial Application

M12 to open cable

Interface Dimensions



Contact No.	Cord color
1	BROWN
2	WHITE
3	BLUE
4	BLACK

