

Waterproof series connector



M8 to open cable

Waterproof M8 series cable product are available to meet Industry 4.0 automation control equipment. Can be used at Signal Transmission, Power, Sensor and Cable Connection. We can customize waterproof series cable for user's requirements.

IP67 Waterproof.

Specification

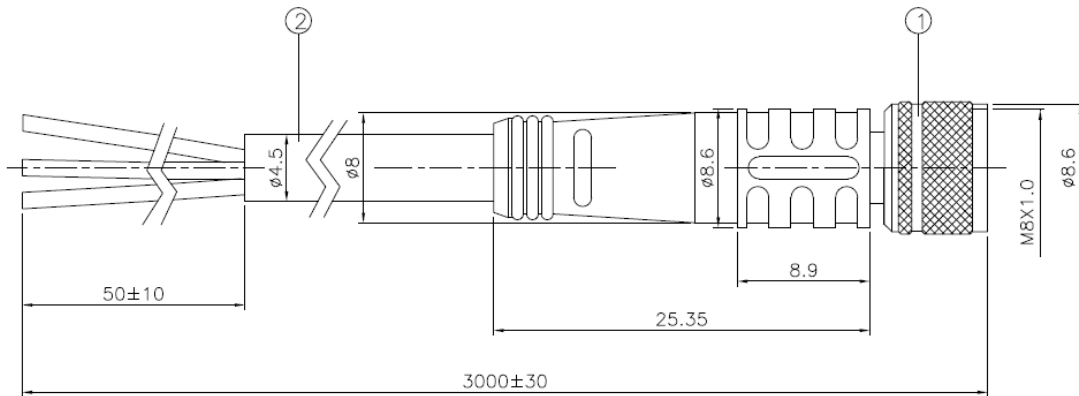
JPC Product Name	PZBACN030-0001/ PZBACN030-0002
Product Series	Waterproof M12 series connector
Connector Type	Plug Male/Female
Shell Size	M8
No. Of Contact	3 Pin
Current Rating	3A
Voltage Rating	125V
Operating temperature range	-20°C~+85°C
Withstanding voltage	300AC
Insulation resistance	100V
Contact resistance	12A
Repeated mating	1000

Application

Servo Motors	Automobiles
Power	Electric Vehicles
Electronics & Electrical	Communication Equipment
Mechanical	Military Applications
Medical Equipment	Industrial Application

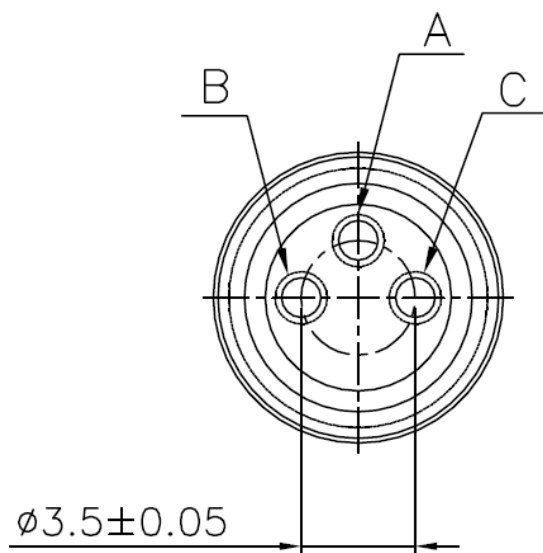
M8 to open cable

Plug Female Interface Dimensions



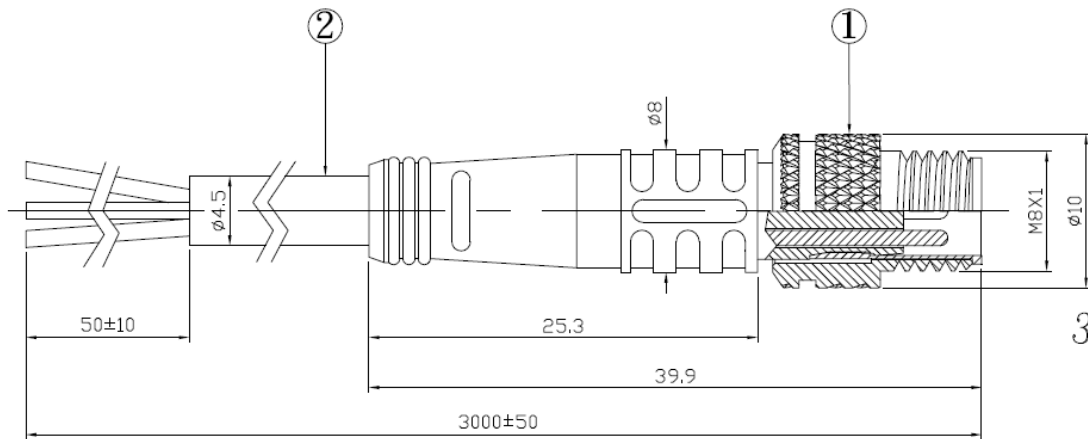
Product Material

1. 3 PIN CONNECTOR	1
2. WIRE	3M



M8 to open cable

Plug Male Interface Dimensions



Product Material

1.3PIN CONNECTOR	1
2.CABLE	3M

