

Push-Pull Circular Connectors



Application

High Voltage Power Distribution(PDU)

New Energy Automobile Battery Pack(PACK)

DC/AC Converter

Car Charging

Industrial Application

B Metal series

JPC offers diversified plastic and medical connectors ideal for medical equipment. Features including quick mating/unmating, keying, color-coding, chemical resist, vibration resist, enduring high-temperature, and pressure. From patient monitoring devices to disposable surgical ablation catheters, our connectors offer medical grade push-pull self latching connector in plastic, metal, and even waterproof IP68 connector features. Furthermore, our customization service can offer you proper features to meet your medical connector needs.

Technical Data

Product Type	PZACF1BXA12101
For cable ø	1.4 to 9.9 mm
Current rating	1.5 to 25A
Dielectric withstanding voltage	0.6 to 2.4 kV rms
Insulation resistance	10 ¹² Ω
Temperature range	-55°C to 250°C
Durability: gt	5,000 cycles
Shielding: gt	75dB at 10Mhz; gt;40dB at 1Ghz
NO. of contacts	2 to 32 Pin

Product Features

Push-Pull self-latching

Quick and easy mating and de-mating

FDA approved biocompatible materials (PSU or PEI)

Electrical Safety (touch & scoop proof)

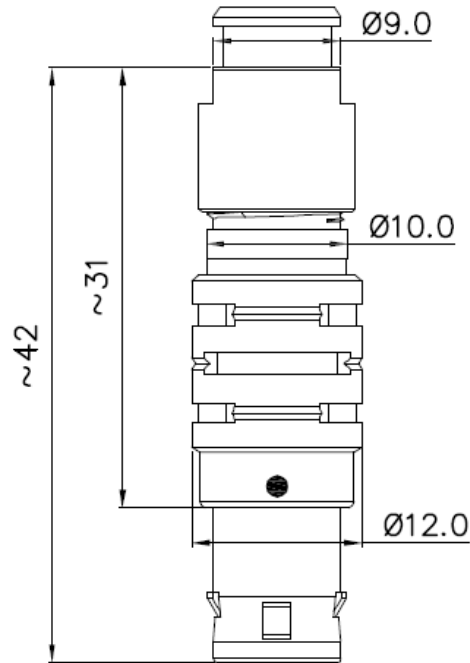
Multiple Key options (6 keyways)

Wide selection of colors for easy recognition (Black, White, Red, Yellow, Green, Blue, Grey)

Watertight and disposable connectors available

B Metal series

Interface Dimensions



Key Direction

