

## Waterproof series connector



**Waterproof M12 series**

Waterproof M12 series connector product are available to meet Industry 4.0 automation control equipment. Can be used at Signal Transmission, Power, Sensor and Cable Connection.

IP67 Waterproof.

**Specification**

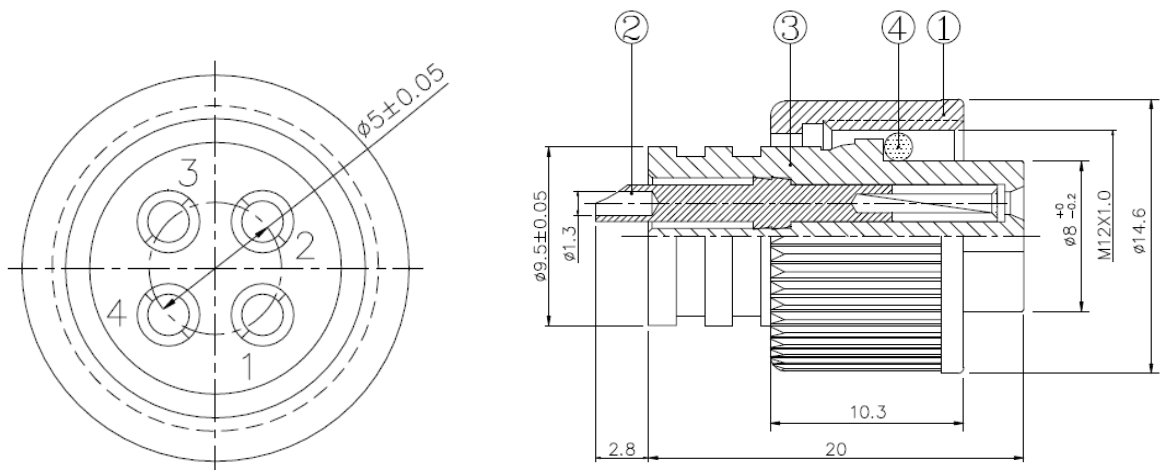
JPC Product Name	PZAACM12B12041/PZAACM12A12041/PZAACM12C12041
Product Series	Waterproof M12 series connector
Connector Type	Plug Male/Female, Receptacle Male
Shell Size	M12
No. Of Contact	4 Pin
Withstanding Voltage	300
Insulation Resistance	500
Rated Voltage	125V
Rated current	3A

**Application**

Servo Motors	Automobiles
Power	Electric Vehicles
Electronics & Electrical	Communication Equipment
Mechanical	Military Applications
Medical Equipment	Industrial Application

## Waterproof M12 series

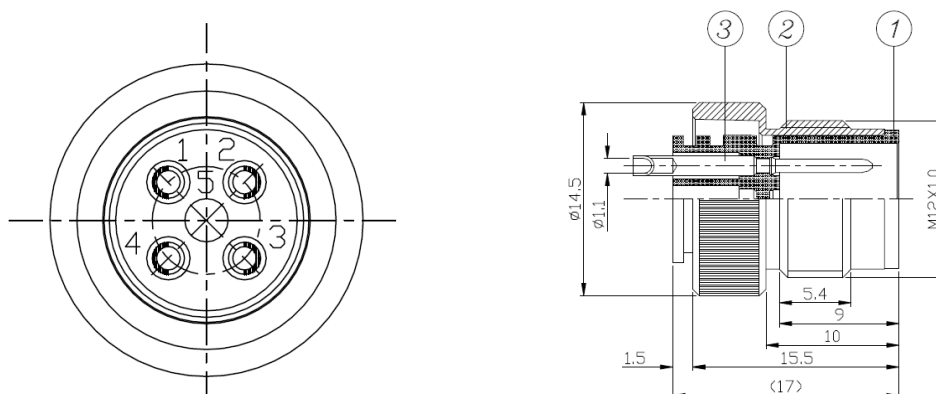
### Plug Female Interface Dimensions



### Product Material

1.CAP	AL ALLOY
2. CONTACT	COPPER ALLOY
3.INSULATOR	NYLON
4.O-RING	SILICON

### Plug Male Interface Dimensions

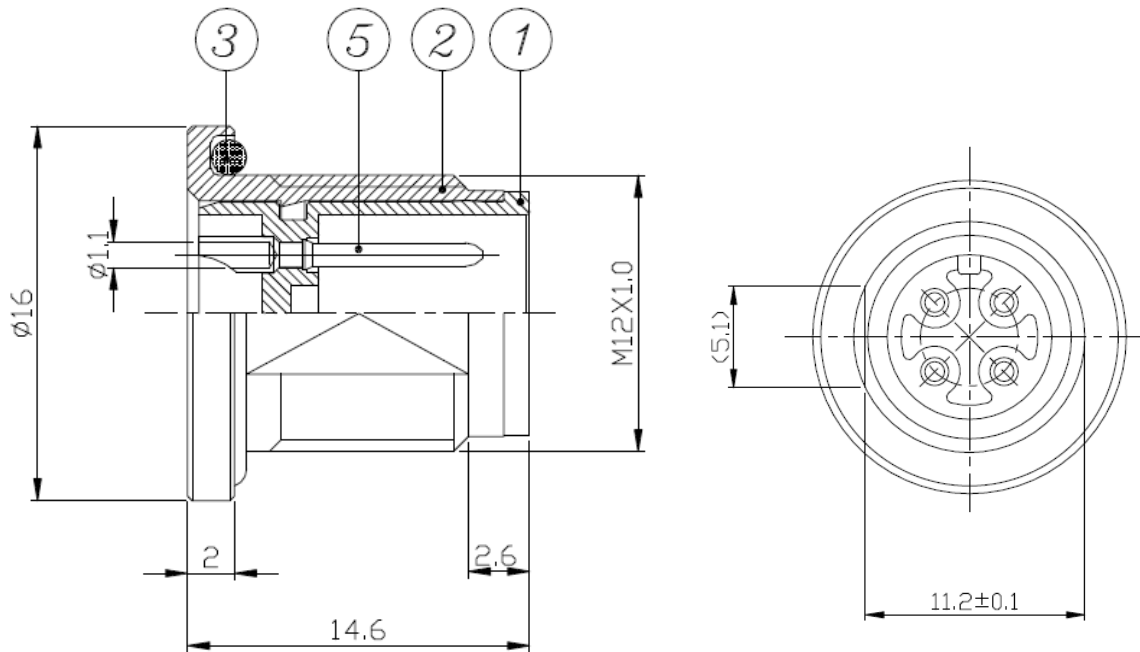


### Product Material

1.INSULATOR	NYLON PA66
2.CAP	COPPER ALLOY
3.CONTACT	COPPER ALLOY

## Waterproof M12 series

### Receptacle Male Interface Dimensions



### Product Material

1.INSULATOR	PLASTIC
8.BODY	SDC2
9.O-RING	RUBBER
16.CONTACT	COPPER ALLOW

