

## Industrial Circular Series Connector



## Industrial Circular-30

### Industrial Circular-30 Series (Input Type)

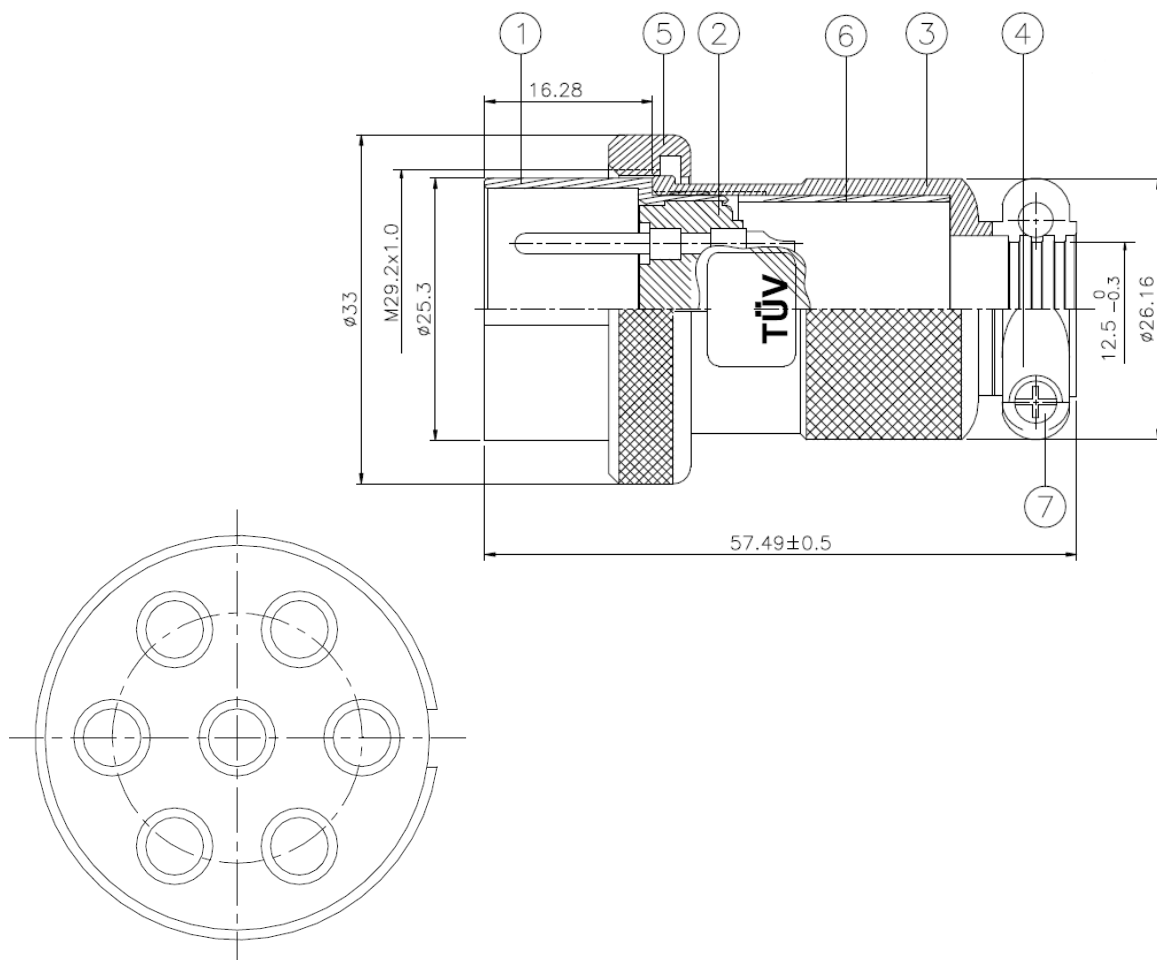
Industrial Circular-30 series connector product are available to meet Industry 4.0 automation control equipment. Can be used at Signal Transmission, Power, Sensor and Cable Connection.

| Specification           |                                      |
|-------------------------|--------------------------------------|
| JPC Product Name        | PZAAAPLTD30071/PZAAAPLTA30071        |
| Product Series          | Industrial Circular Series Connector |
| Connector Type          | Plug, Receptacle                     |
| Shell Size              | 30                                   |
| No. Of Contact          | 7 Pin                                |
| Current Rating          | 15A                                  |
| Voltage Rating          | 250V                                 |
| Operating voltage limit | 400AC                                |
| Withstanding voltage    | 1800AC                               |
| Insulation resistance   | 2000AC                               |
| Contact resistance      | 45A                                  |
| Mating Cycles           | 500                                  |

| Application              |                         |
|--------------------------|-------------------------|
| Servo Motors             | Automobiles             |
| Power                    | Electric Vehicles       |
| Electronics & Electrical | Communication Equipment |
| Mechanical               | Military Applications   |
| Medical Equipment        | Industrial Application  |

## Industrial Circular-30

### Plug Female Interface Dimensions

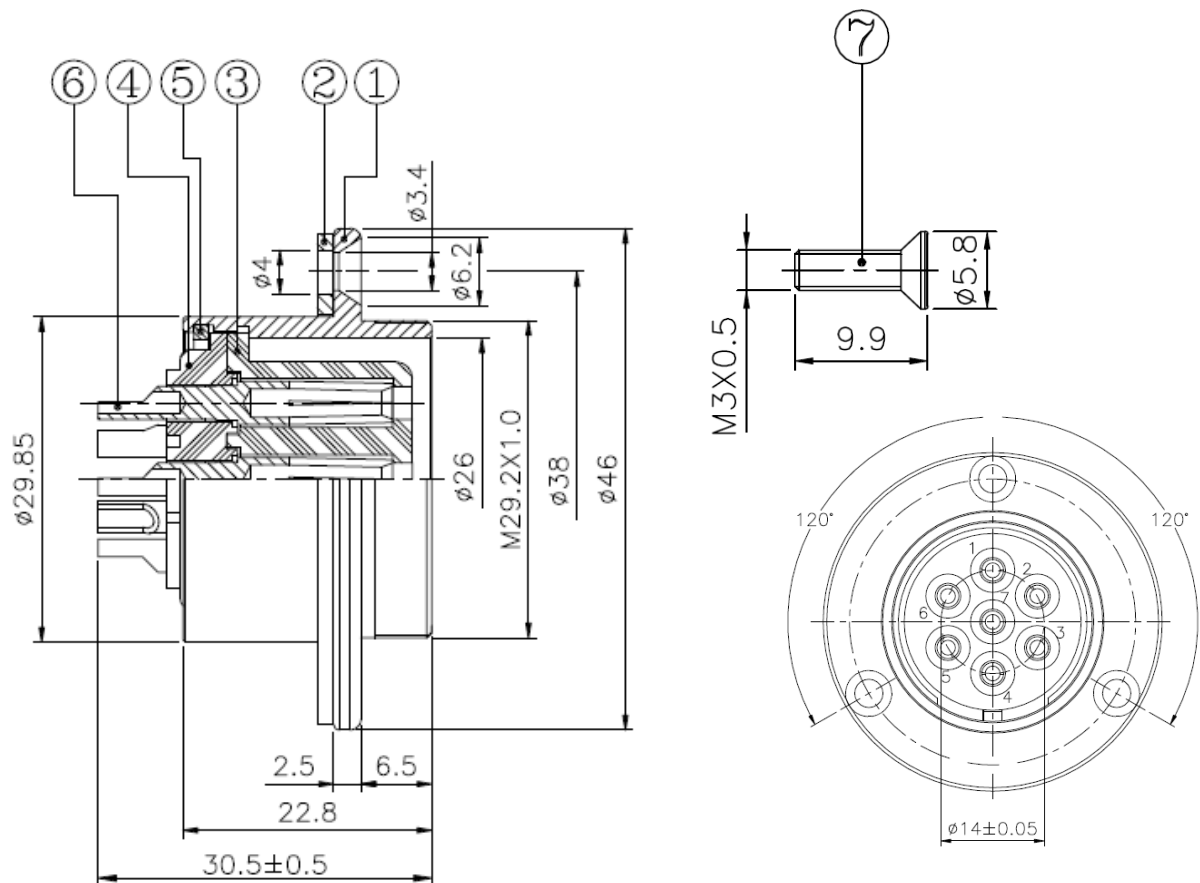


#### Product Material

|             |              |
|-------------|--------------|
| 1.BODY      | Zn ALLOY     |
| 2.INSULATOR | BAKELITE     |
| 3.BODY      | Zn ALLOY     |
| 4.CLAMP     | Zn ALLOY     |
| 5.CAP       | Zn ALLOY     |
| 6.TUBE      | PE           |
| 7.SCREW     | COPPER ALLOY |

## Industrial Circular-30

### Receptacle Male Interface Dimensions



### Product Material

|             |                 |
|-------------|-----------------|
| 1.BODY      | Zn ALLOY        |
| 2.WASHER    | RUBBER          |
| 3.INSULATOR | BAKELITE        |
| 4.INSULATOR | BAKELITE        |
| 5.Buckle    | Stainless Steel |
| 6.CONTACT   | COPPER ALLOY    |
| 7.SCREW     | STEEL           |