

Industrial Circular Series Connector



Industrial Circular-25 Series

Industrial Circular-25 Series (Input Type)

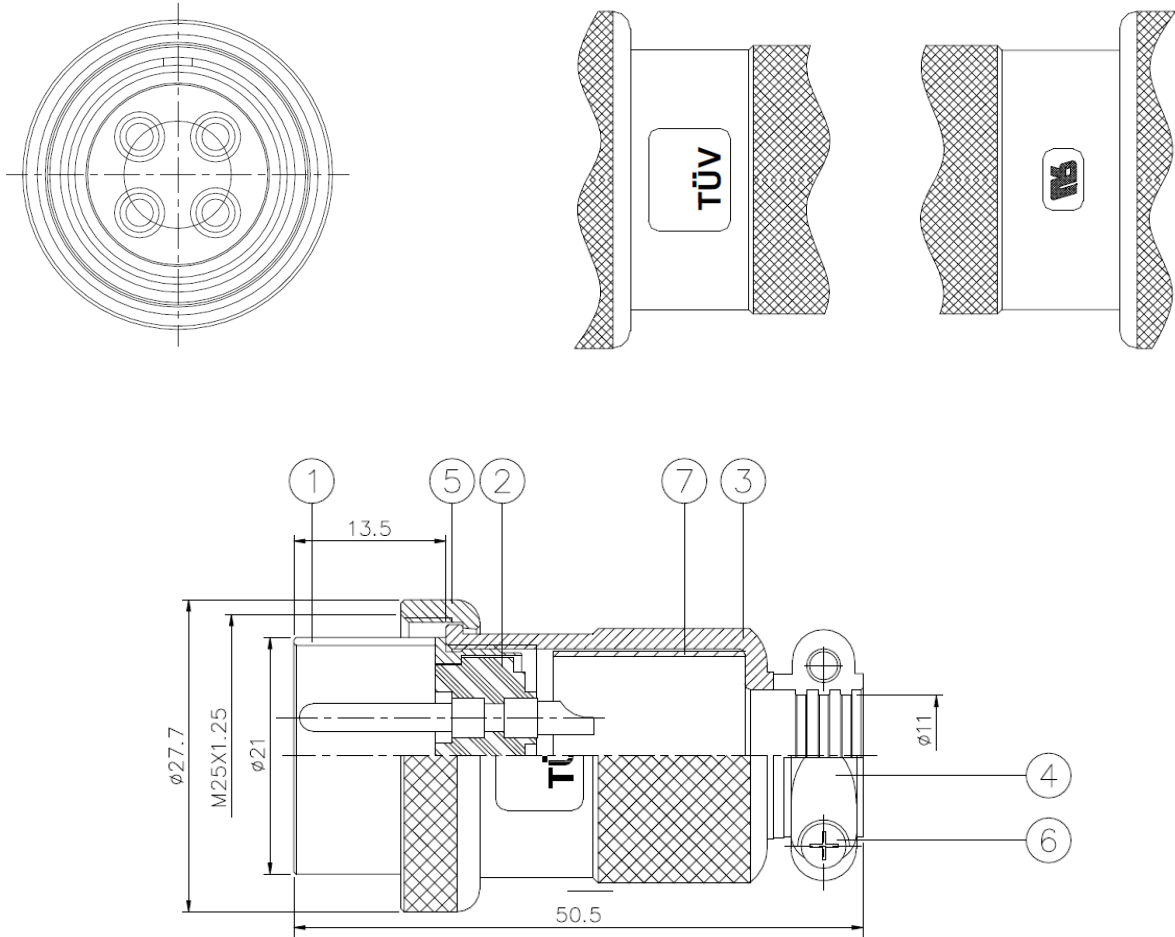
Industrial Circular-25 series connector product are available to meet Industry 4.0 automation control equipment. Can be used at Signal Transmission, Power, Sensor and Cable Connection.

Specification	
JPC Product Name	PZAAAPLTD25041/PZAAAPLTA25041
Product Series	Industrial Circular Series Connector
Connector Type	Plug, Receptacle
Shell Size	25
No. Of Contact	4 Pin
Current Rating	10A
Voltage Rating	250V
Operating voltage limit	400AC
Withstanding voltage	2000AC
Insulation resistance	2000AC
Contact resistance	30A
Mating Cycles	500

Application	
Servo Motors	Automobiles
Power	Electric Vehicles
Electronics & Electrical	Communication Equipment
Mechanical	Military Applications
Medical Equipment	Industrial Application

Industrial Circular-25

Plug Female Interface Dimensions

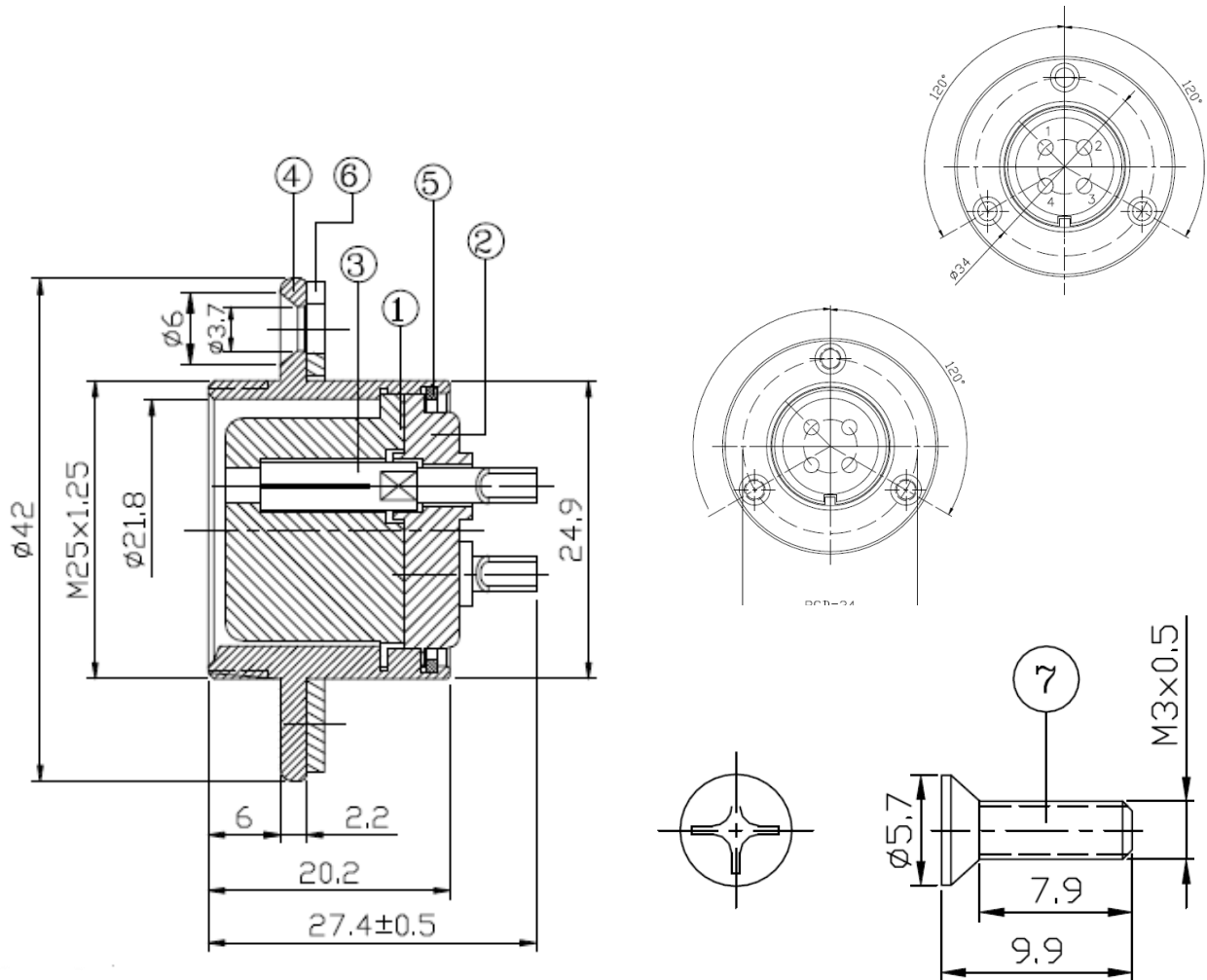


Product Material

1.BODY	Zn ALLOY
2.INSULATOR	BAKELITE
3.BODY	Zn ALLOY
4.CLAMP	Zn ALLOY
5.CAP	Zn ALLOY
6.SCREW	STEEL
7.PIPE	PLASTIC

Industrial Circular-25

Receptacle Male Interface Dimensions



Product Material

1.SOCKET	BAKELITE
2.COVER	BAKELITE
3.CONTACT	BRASS
4.BODY	Zn ALLOY
5.Buckle	Stainless Steel
6.WASHER	RUBBER
7.SCREW	SPCC