

Industrial Circular Series Connector



Industrial Circular-16 Series

Industrial Circular-16 Series (Input Type), Stainless Steel

Industrial Circular-16 series connector product are available to meet Industry 4.0 automation control equipment. Can be used at Signal Transmission, Power, Sensor and Cable

Specification

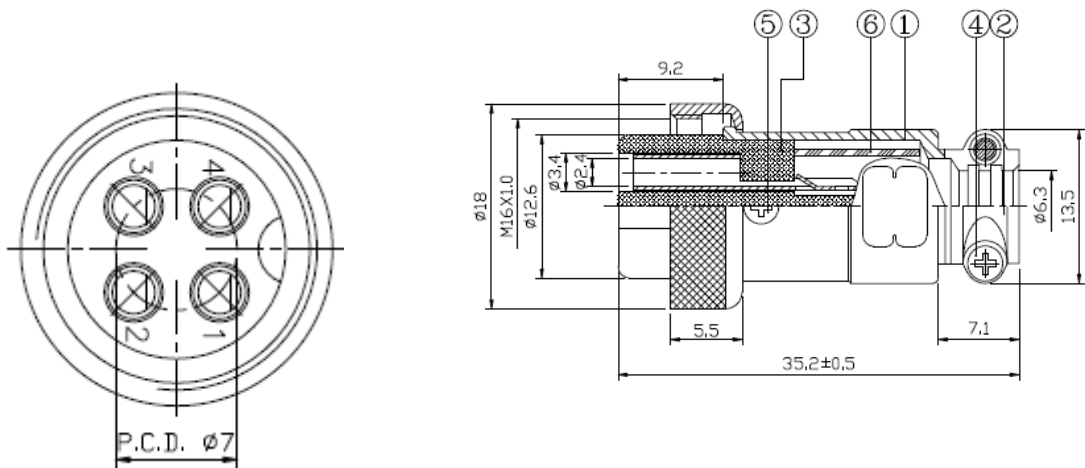
JPC Product Name	PZAAAPLTB16041/PZAAAPLTC16041
Product Series	Industrial Circular Series Connector
Connector Type	Plug, Receptacle
Shell Size	16
No. Of Contact	4 Pin
JPC Product Name	PZAAAPLTB16041
Current Rating	5A
Voltage Rating	125V
Operating voltage limit	200AC
Withstanding voltage	1000AC
Insulation resistance	1000AC
Contact resistance	15A
Operating Temperature Range	-20°C~+85°C
Mating Cycles	500

Application

Servo Motors	Automobiles
Power	Electric Vehicles
Electronics & Electrical	Communication Equipment
Mechanical	Military Applications
Medical Equipment	Industrial Application

Industrial Circular-16

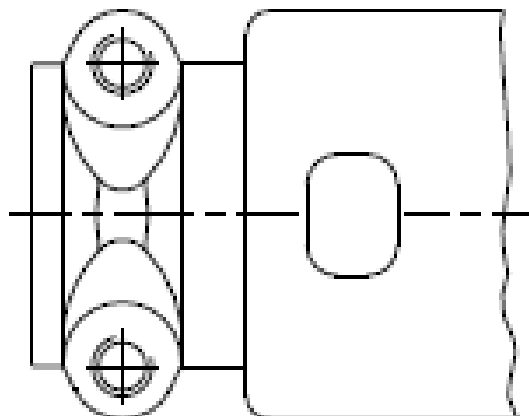
Plug Female Interface Dimensions



Product Material

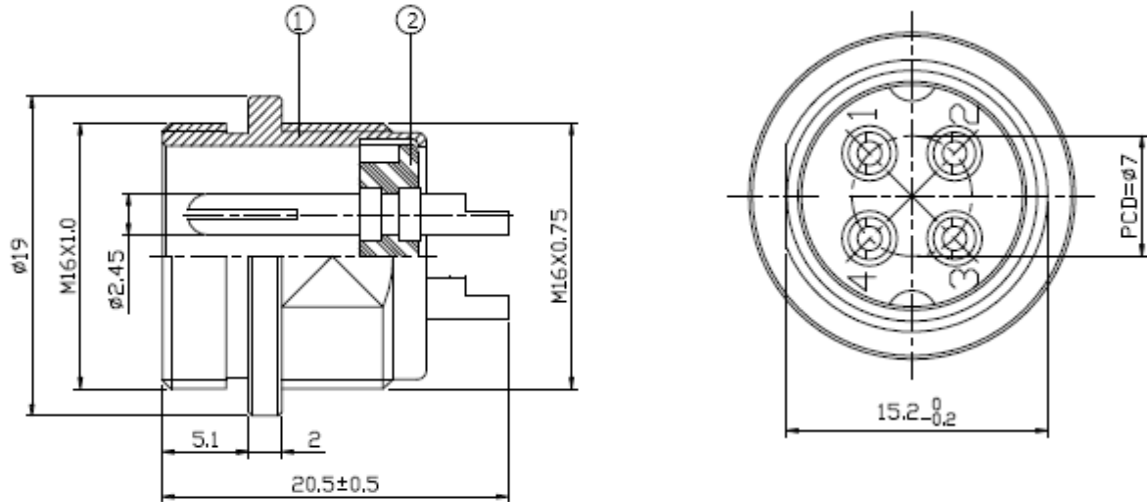
1.BODY	Zn ALLOY
2.CLAMP	Zn ALLOY
3.INSULATOR	BAKELITE
4.SCREW	STEEL
5.SCREW	STEEL
6.PIPE	PE

Back View



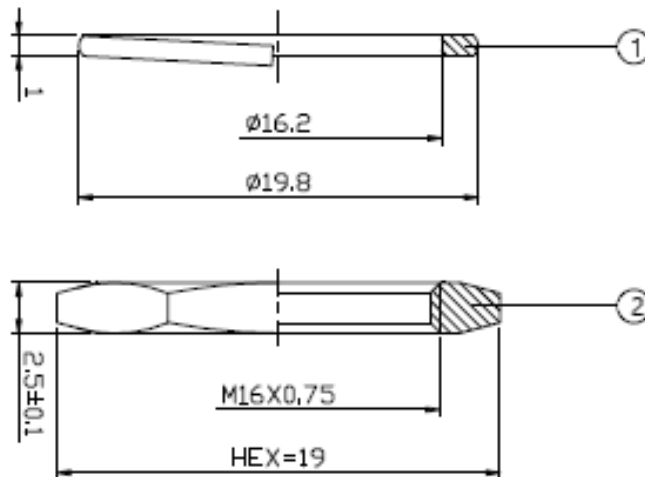
Industrial Circular-16

Receptacle Male Interface Dimensions



Product Material

1. BODY	Zn ALLOY
2. INSULATOR	BAKELITE



Product Material

1. SPRING WASHER	SUP3
2. NUT	COPPER ALLOY