

Industrial Square Series Connector



Industrial square-28

Industrial Square-28 Series (Input Type)

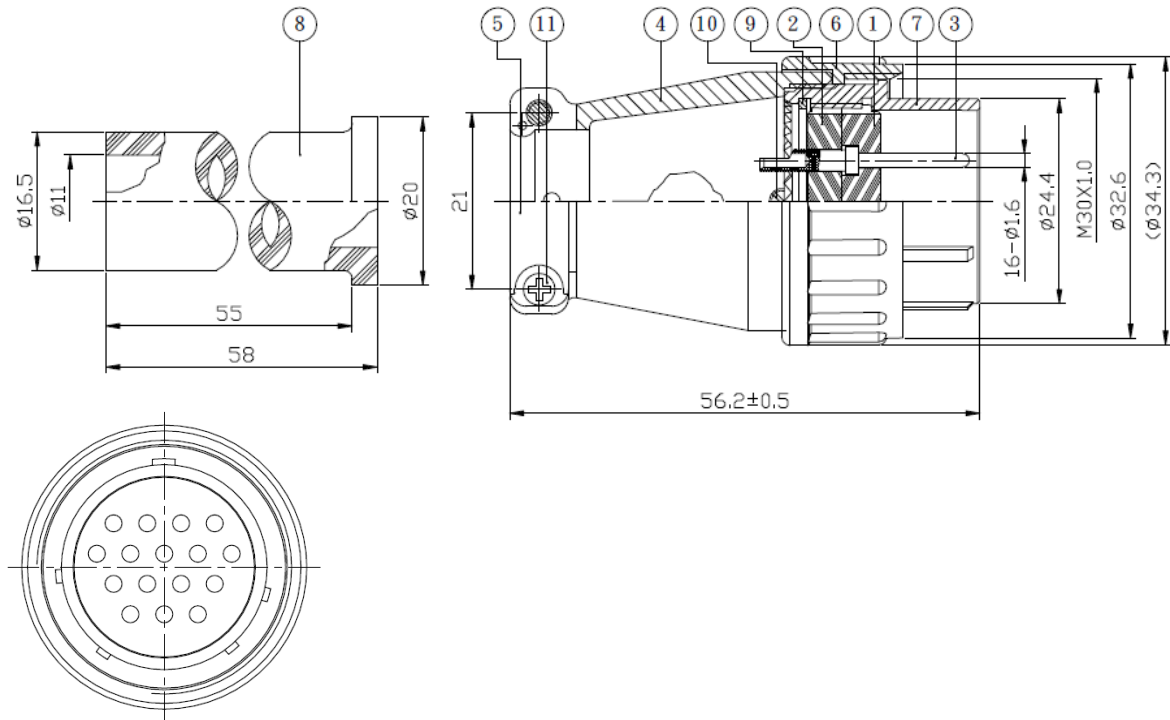
Industrial Square-28 series connector product are available to meet Industry 4.0 automation control equipment. Can be used at Signal Transmission, Power, Sensor and Cable Connection.

Specification	
JPC Product Name	PZAAAPLSD28161/ PZAAAPLSA28161
Product Series	Industrial Square Series Connector
Connector Type	Plug, Receptacle
Shell Size	28
No. Of Contact	16 Pin
Current Rating	5A
Voltage Rating	250V
Operating voltage limit	250AC
Withstanding voltage	1000AC
Insulation resistance	1000AC
Contact resistance	25A
Mating Cycles	500

Application	
Servo Motors	Automobiles
Power	Electric Vehicles
Electronics & Electrical	Communication Equipment
Mechanical	Military Applications
Medical Equipment	Industrial Application

Industrial square-28

Plug Female Interface Dimensions

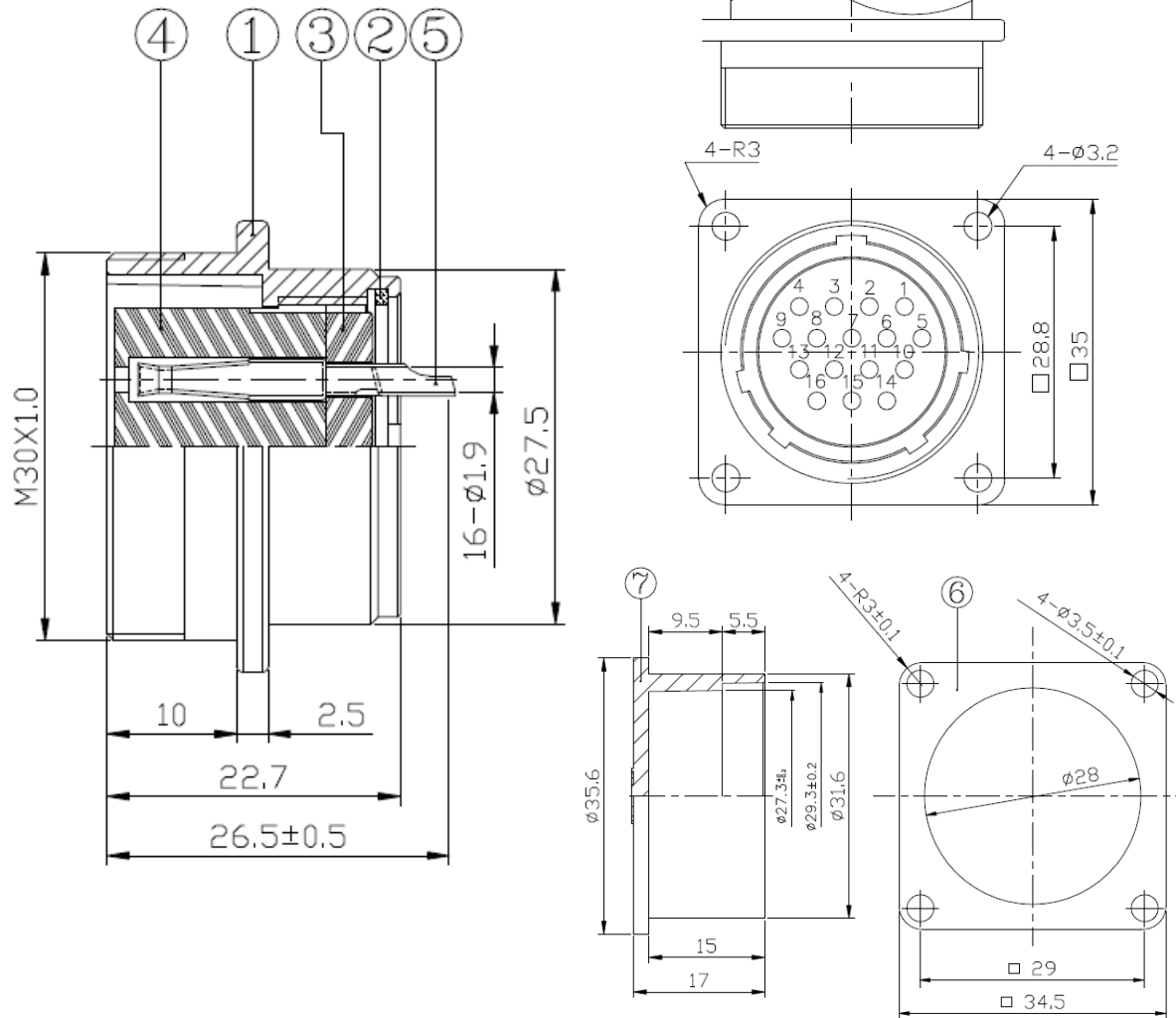


Product Material

1. COVER INSULATOR	BAKELITE
2. COVER INSULATOR	BAKELITE
3. CONTACT	COOPER ALLOY
4. BODY	Zn ALLOY
5. CLAMP	Zn ALLOY
6. CAP	Zn ALLOY
7. TOOTH BODY	Zn ALLOY
8. PIPE	RUBBER
9. BUCKLE	SUS301
10. SCREW	COOPER ALLOY
11. SCREW	IRON

Industrial square-28

Receptacle Male Interface Dimensions



Product Material

1.BODY	Zn ALLOY
2.BUCKLE	SUS301Y
3.INSULATOR	BAKELITE
4.INSULATOR	BAKELITE
5.CONTACT	PBW
6.PAD	RUBBER
7.COVER	PLASTIC