

## Industrial Square Series Connector



**Industrial square-24****Industrial Square-24 Series (Input Type)**

Industrial Square-24 series connector product are available to meet Industry 4.0 automation control equipment. Can be used at Signal Transmission, Power, Sensor and Cable Connection.

**Specification**

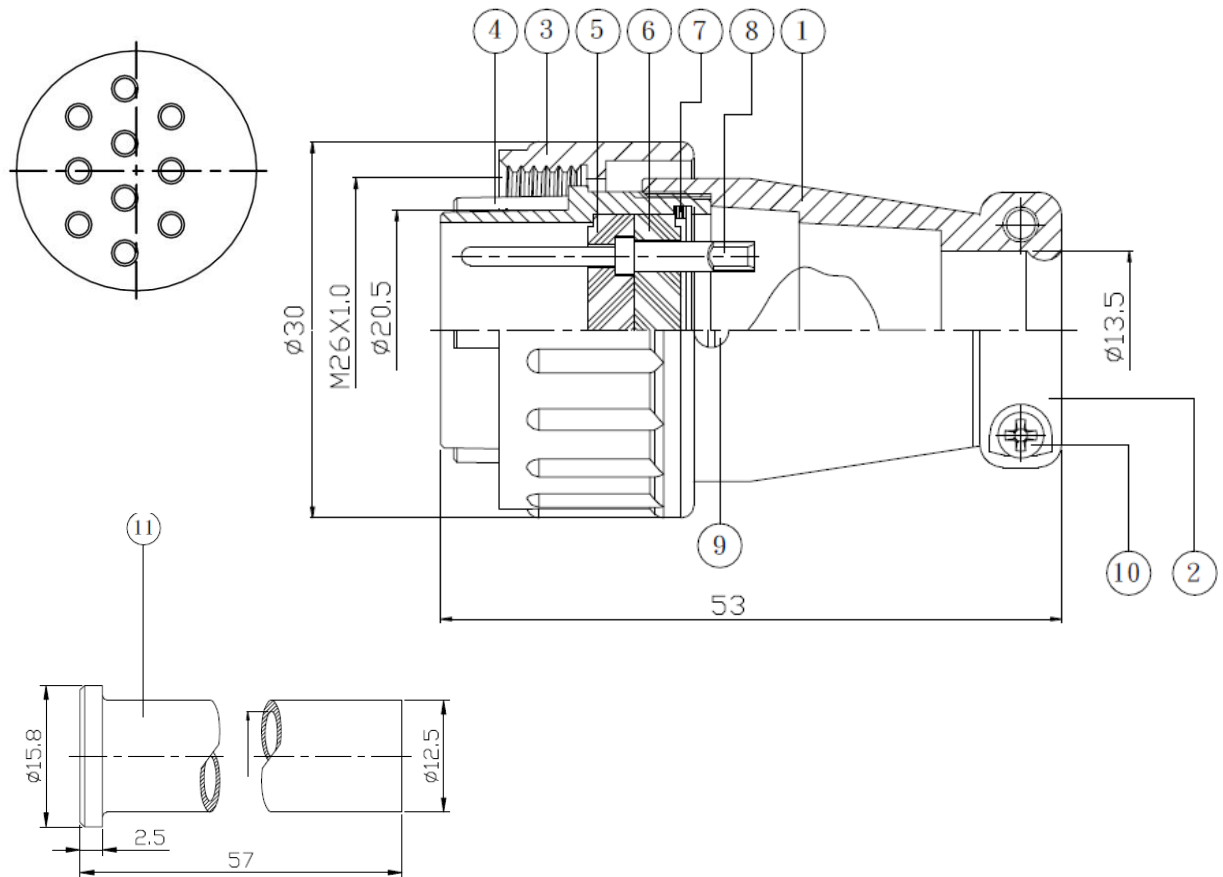
|                         |                                    |
|-------------------------|------------------------------------|
| JPC Product Name        | PZAAAPLSD24101/ PZAAAPLSA24101     |
| Product Series          | Industrial Square Series Connector |
| Connector Type          | Plug, Receptacle                   |
| Shell Size              | 24                                 |
| No. Of Contact          | 10 Pin                             |
| Current Rating          | 10A                                |
| Voltage Rating          | 250V                               |
| Operating voltage limit | 250AC                              |
| Withstanding voltage    | 1000AC                             |
| Insulation resistance   | 2000AC                             |
| Contact resistance      | 30                                 |
| Mating Cycles           | 500                                |

**Application**

|                          |                         |
|--------------------------|-------------------------|
| Servo Motors             | Automobiles             |
| Power                    | Electric Vehicles       |
| Electronics & Electrical | Communication Equipment |
| Mechanical               | Military Applications   |
| Medical Equipment        | Industrial Application  |

## Industrial square-24

### Plug Female Interface Dimensions

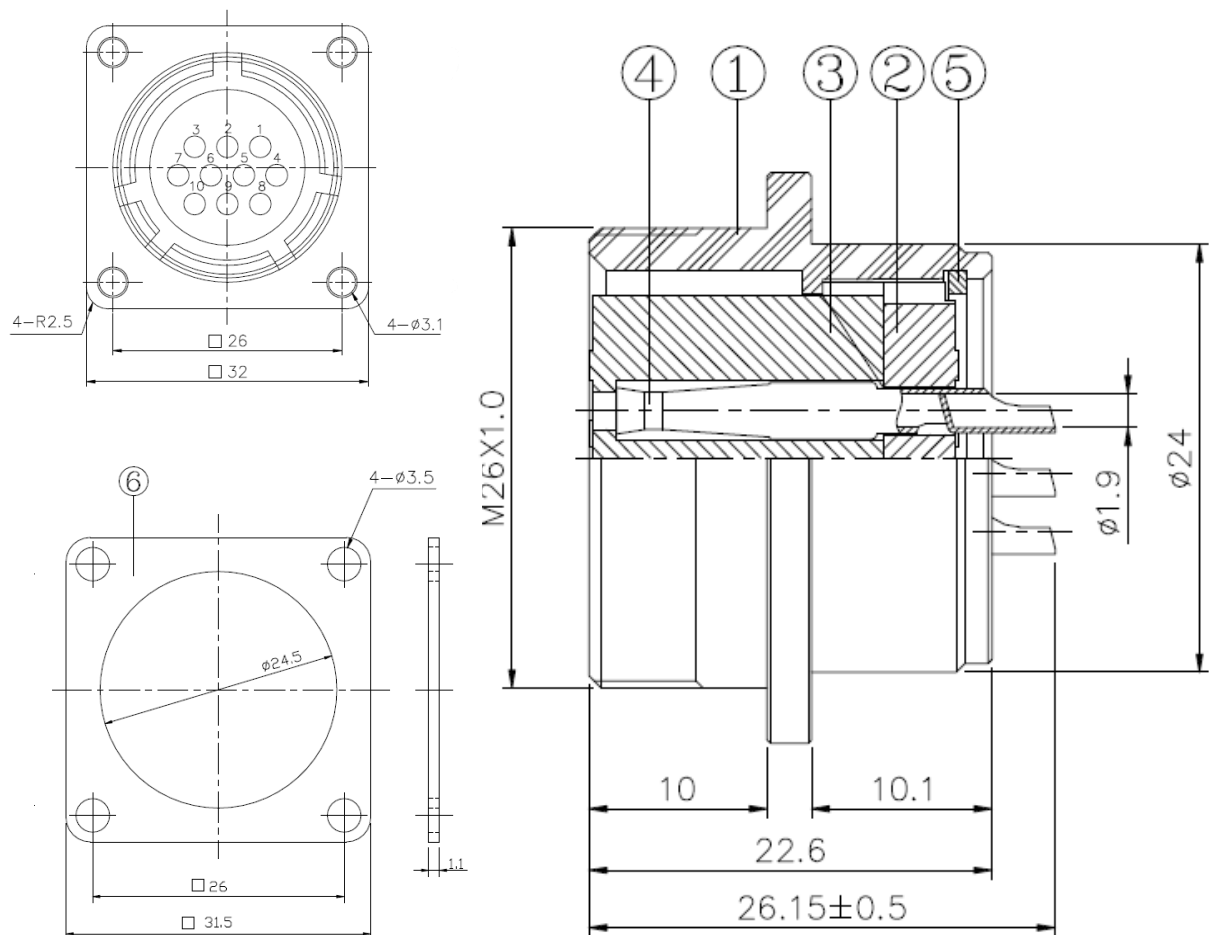


### Product Material

|              |                 |
|--------------|-----------------|
| 1.BODY       | Zn ALLOY        |
| 2.CLAMP      | Zn ALLOY        |
| 3.CAP        | Zn ALLOY        |
| 4.TOOTH BODY | Zn ALLOY        |
| 5.INSULATOR  | BAKELITE        |
| 6.INSULATOR  | BAKELITE        |
| 7.BUCKLE     | Stainless Steel |
| 8.CONTACT    | COPPER ALLOY    |
| 9.SCREW      | COPPER ALLOY    |
| 10.SCREW     | STEEL           |
| 11.PIPE      | RUBBER          |

## Industrial square-24

### Receptacle Male Interface Dimensions



### Product Material

|             |                 |
|-------------|-----------------|
| 1.BODY      | Zn ALLOY        |
| 3.INSULATOR | BAKELITE        |
| 4.INSULATOR | BAKELITE        |
| 5.CONTACT   | COPPER ALLOY    |
| 6.BUCKLE    | Stainless Steel |
| 7.PAD       | RUBBER          |