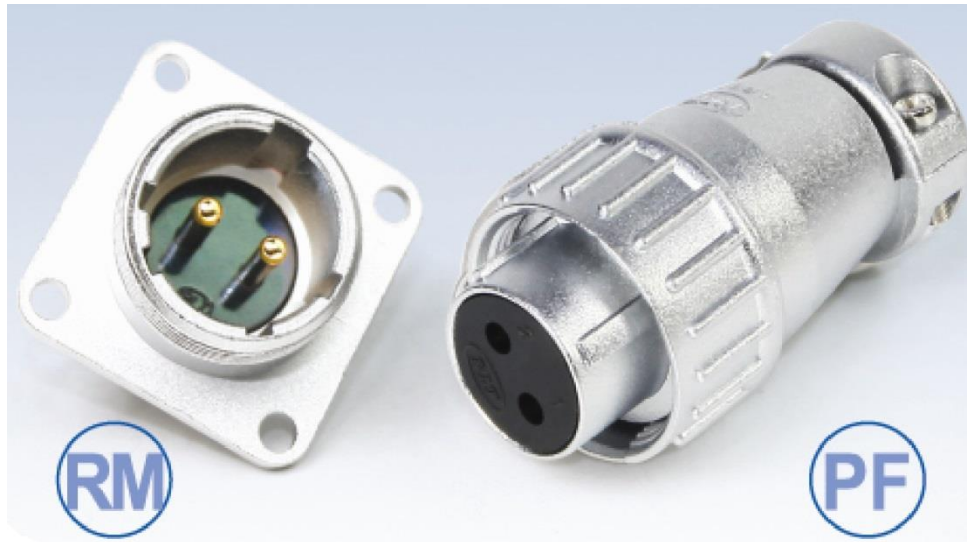


Industrial Square Series Connector



Industrial square-20

Industrial Square-20 Series (Input Type)

Industrial Square-20 series connector product are available to meet Industry 4.0 automation control equipment. Can be used at Signal Transmission, Power, Sensor and Cable Connection.

Specification

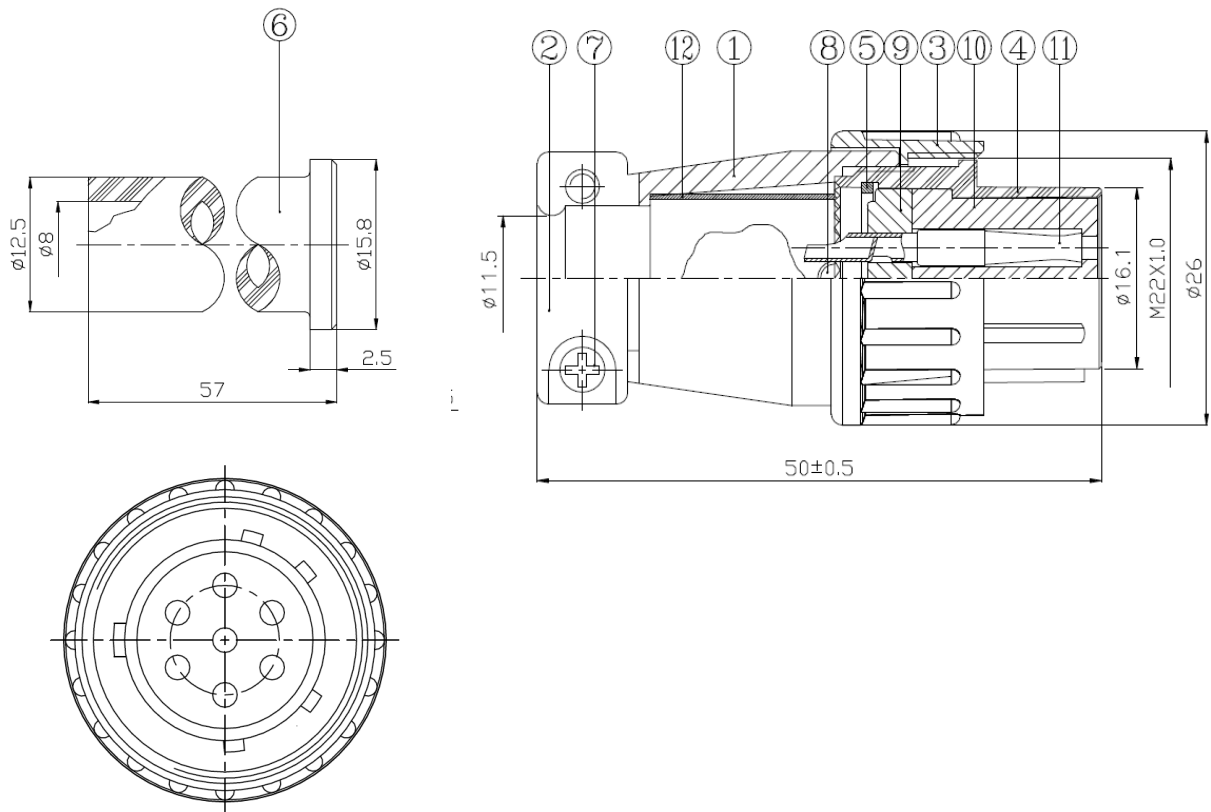
JPC Product Name	PZAAAPLSC20071/ PZAAAPLSB20071
Product Series	Industrial Square Series Connector
Connector Type	Plug, Receptacle
Shell Size	20
No. Of Contact	7 Pin
Current Rating	10A
Voltage Rating	250V
Operating voltage limit	200AC
Withstanding voltage	1000AC
Insulation resistance	2000AC
Contact resistance	30
Mating Cycles	500

Application

Servo Motors	Automobiles
Power	Electric Vehicles
Electronics & Electrical	Communication Equipment
Mechanical	Military Applications
Medical Equipment	Industrial Application

Industrial square-20

Plug Female Interface Dimensions

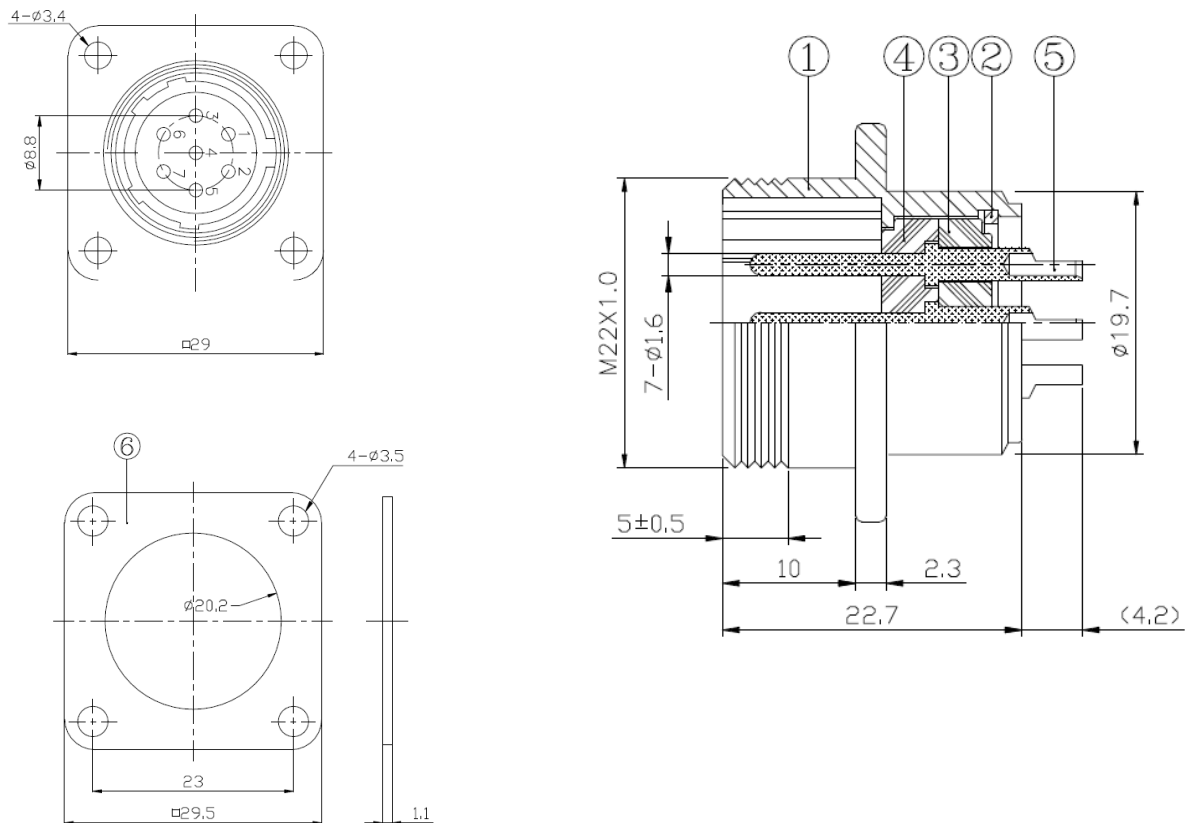


Product Material

1.BODY	Zn ALLOY
2.CLAMP	Zn ALLOY
3.CAP	Zn ALLOY
4.TOOTH BODY	Zn ALLOY
5.BUCKLE	Stainless Steel
6.PIPE	RUBBER
7.SCREW	IRON
8.SCREW	COPPER ALLOY
9.INSULATOR	BAKELITE
10.INSULATOR	BAKELITE
11.CONTACT	Phosphor Bronze
12.TUBE	PP

Industrial square-20

Receptacle Male Interface Dimensions



Product Material

1.BODY	Zn ALLOY
2.BUCKLE	Stainless Steel
3.INSULATOR	BAKELITE
4.INSULATOR	BAKELITE
5.CONTACT	COPPER ALLOY
6.PAD	RUBBER