

## High power series connector (45A series)



## XL60 Series

XL60 is a two pole connector that suits applications for low current and high voltage interlock connector.

### Technical Data

Product Type HVIL	PHVXL60201X4-0/PHVXL60211X4-0
Product Type NO HVIL	PHVXL60200X6-0/PHVXL60210X6-0
Current Rating	40A
Voltage Rating	1000V AC
Dielectric Withstanding Voltage	5000V AC
Operating Temperature Range	-40 °C to +125 °C
Mating Cycles	100 times Min.

### Product Features

Electrical interlock	Yes
Shielding	Yes/Optional
Automatic Secondary Lock	YES
Protection class	IP68(24H) , IP6K9K

### Application

High Voltage Power Distribution Unit(PDU)

High Power Application

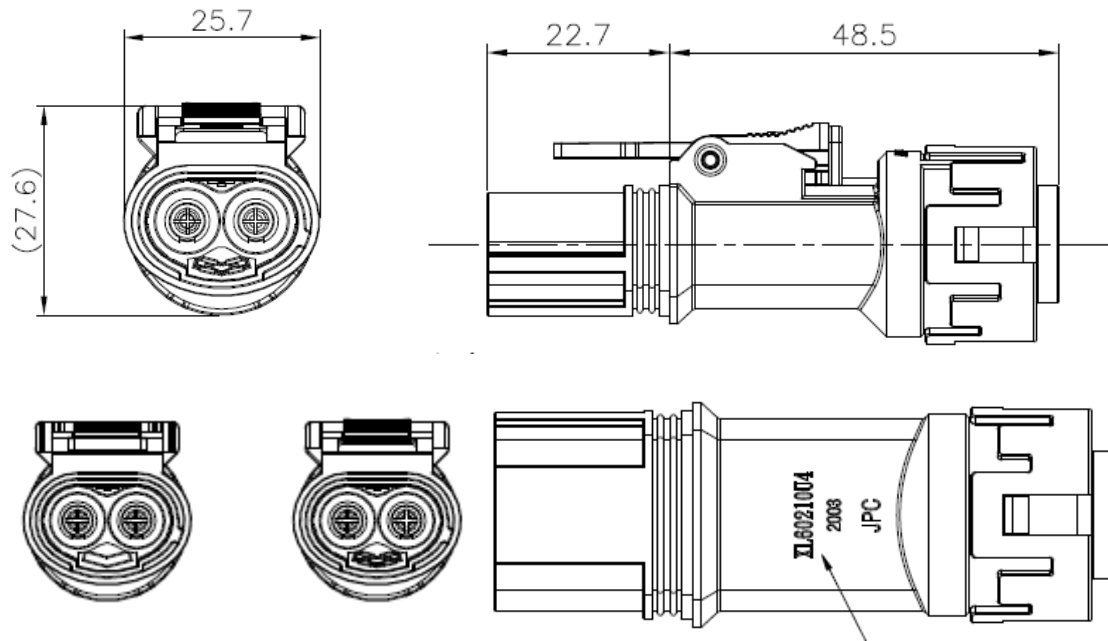
Industry Application

ECU/MCU

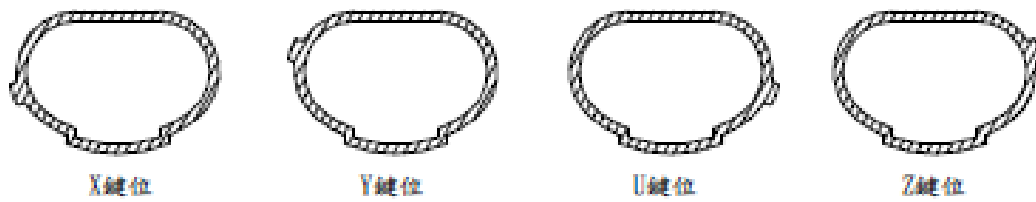
PTC

## XL60

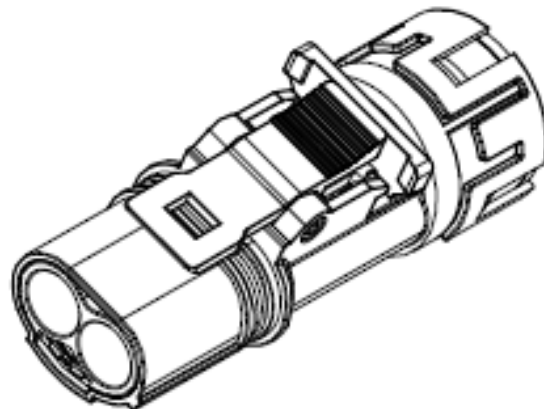
### XL60 Receptacle Interface Dimensions



### Key Direction

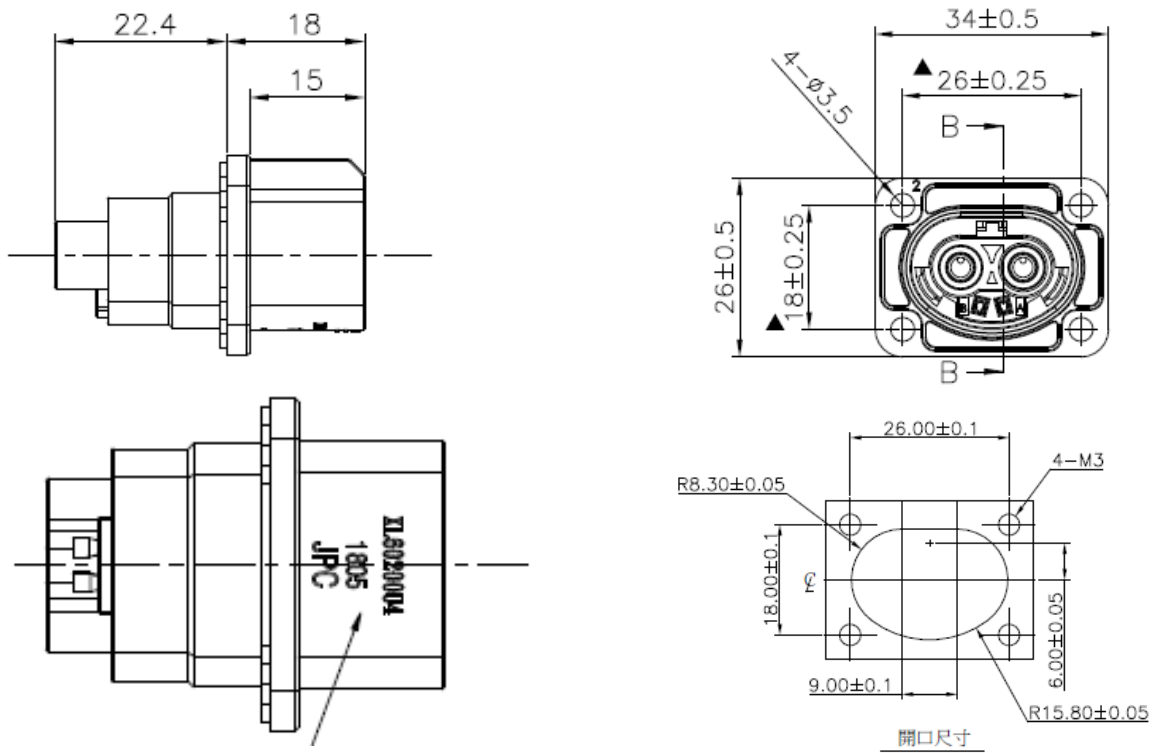


### Product Profile

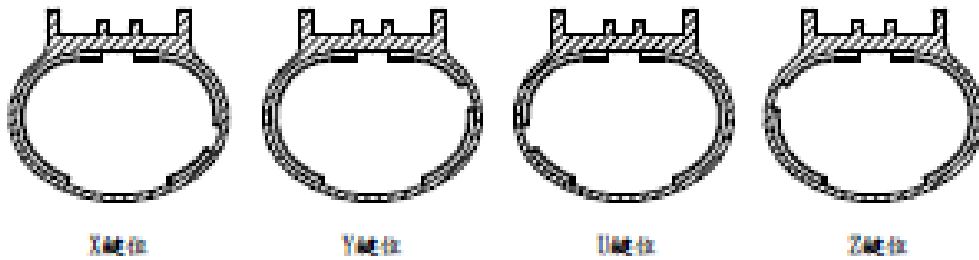


## XL60

### Plug Interface Dimensions



### Key Direction



### Product Profile

