

High power series connector (45A series)



TL300 Series

TL300 is a single pole metal connector that uses JPC's unique helical multi contacts for high power solutions. With straight and right angle plugs, HVIL, and shields, TL300 provides a variety of product configurations to choose from.

Technical Data

Current Rating	250A
Voltage Rating	1000V AC
Dielectric Withstanding Voltage	5000V AC
Operating Temperature Range	-40 °C to +125 °C
Mating Cycles	500 times Min.
Insulation resistance	500
Product Type	PCNTC112RC79-1/PCNTC114RC78-1 PCNTC102RC79-1/PCNTC103RC78-1 PCNTC203RC78-1/PCNTC203RC78-1

Product Features

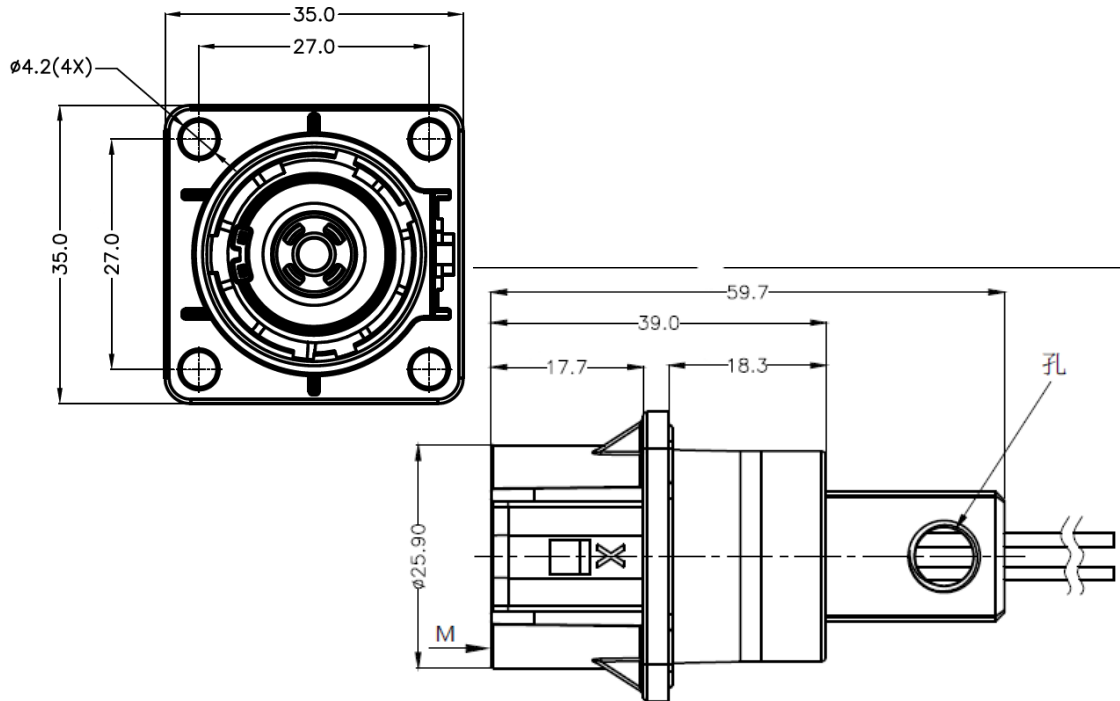
Electrical interlock	Yes
Shielding	Yes/Optional
Automatic Secondary Lock	YES
Protection class	IP67 , IP2X

Application

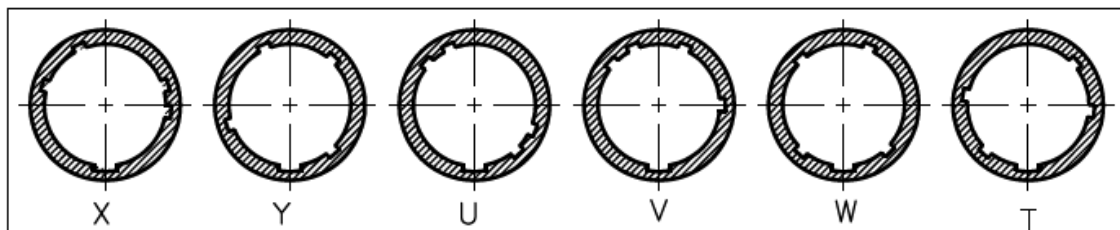
High Voltage Power Distribution Unit(PDU)
DC-DC Converter
High Power Application
Energy Storage System

TL300

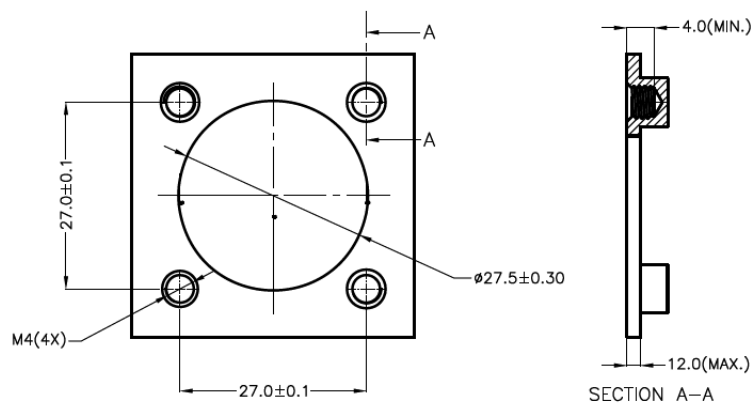
Receptacle Interface Dimensions



Key Direction

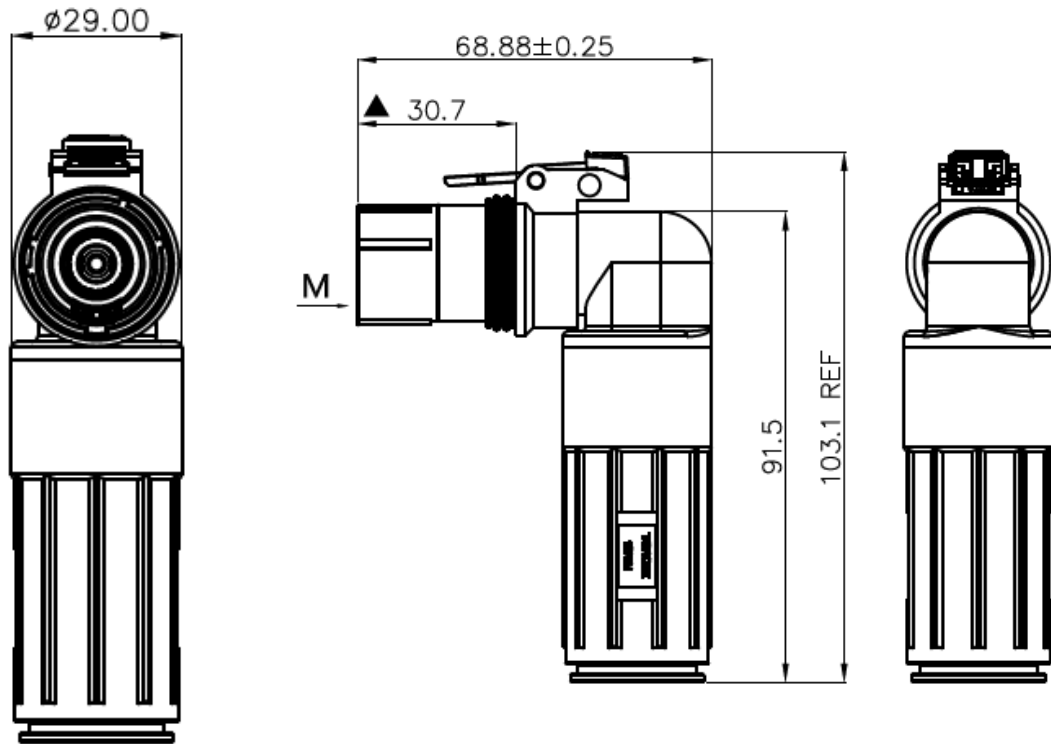


Panel Size



TL300

Plug Interface Dimensions



Key Direction

