

## High power series connector (45A series)



## TL200 Series

TL200 is a single pole metal connector that uses JPC's unique helical multi contacts for high power solutions. With straight and right angle plugs, HVIL, and shields, TL200 provides a variety of product configurations to choose from.

### Technical Data

Current Rating	200A
Voltage Rating	1000V AC
Dielectric Withstanding Voltage	5000V AC
Operating Temperature Range	-40 °C to +125 °C
Mating Cycles	500 times Min.
Insulation resistance	500
Product Type	PCNTC112RC79-0/PCNTC111RC78-0

### Product Features

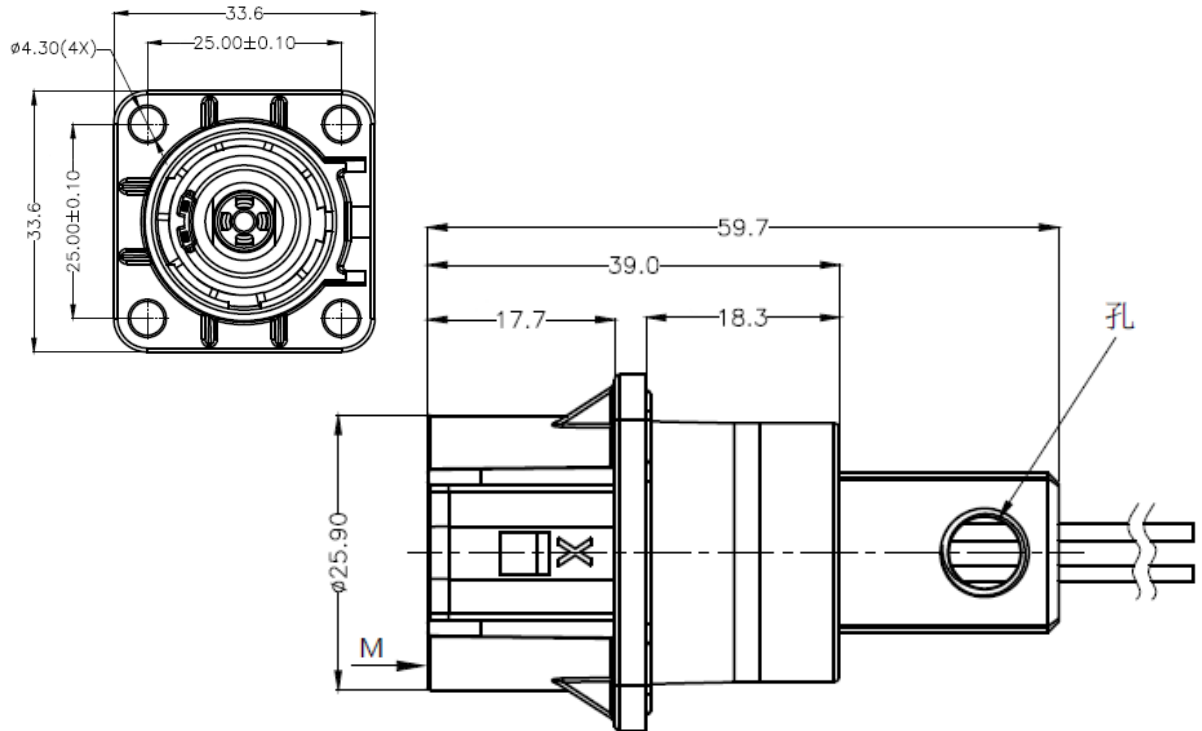
Electrical interlock	Yes
Shielding	Yes/Optional
Automatic Secondary Lock	YES
Protection class	IP67 , IP2X

### Application

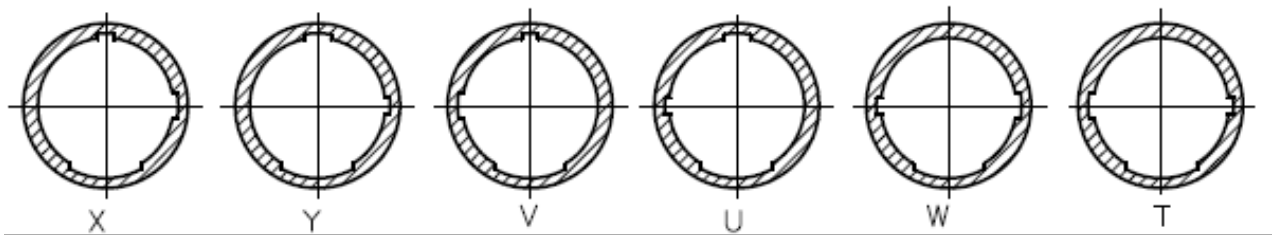
High Voltage Power Distribution Unit(PDU)  
High Power Application  
DC/AC Converter  
Energy Storage System

## TL200 Series

### Receptacle Interface Dimensions

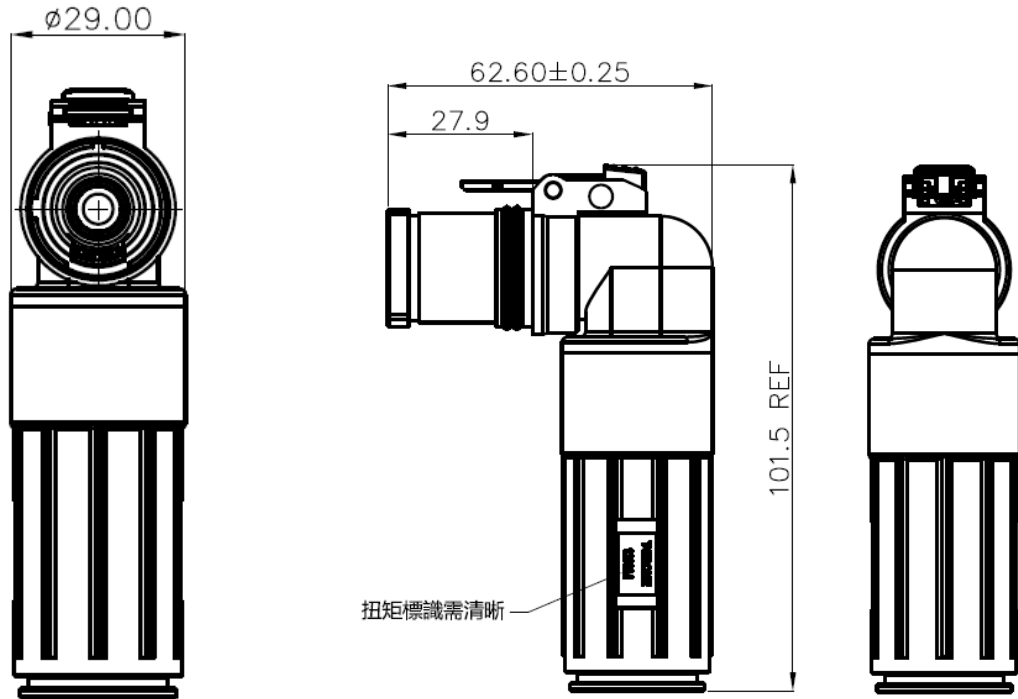


### Key Direction



## TL200 Series

### Plug Interface Dimensions



### Key Direction

