

## High power series connector (45A series)



**TL500 Series**

TL300 is a single pole metal connector that uses JPC's unique helical multi contacts for high power solutions. With straight and right angle plugs, HVIL, and shields, TL300 provides a variety of product configurations to choose from.

**Technical Data**

Current Rating	500A
Voltage Rating	1000V AC
Dielectric Withstanding Voltage	5000V AC
Operating Temperature Range	-40 °C to +125 °C
Mating Cycles	100 times Min.
Insulation resistance	500
Product Type M10 Thread	JPCN-TL00X-500-20M10/JPCN-TL00Y-500-20M10
Product Type X-Code	JPCN-TL18X-500-95/ JPCN-TL28X-500-95
Product Type Y-Code	JPCN-TL18Y-500-95/ JPCN-TL28Y-500-95

**Product Features**

Electrical interlock	Yes
Shielding	Yes/Optional
Automatic Secondary Lock	YES
Protection class	IP67

**Application**

High Voltage Power Distribution Unit(PDU)

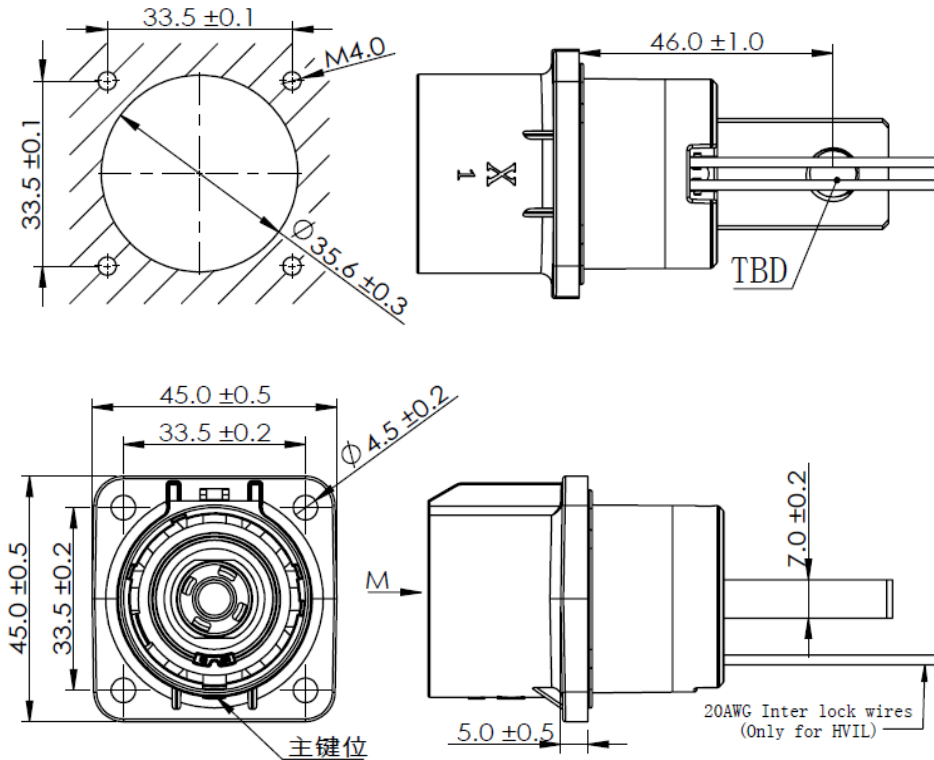
High Power Application

DC/AC Converter

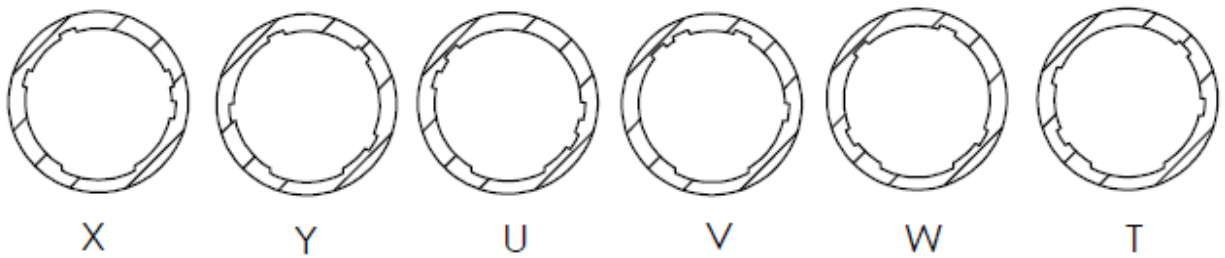
Energy Storage System

## TL500 Series

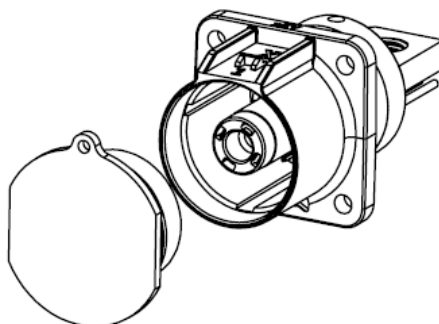
### Receptacle Interface Dimensions



### Key Direction

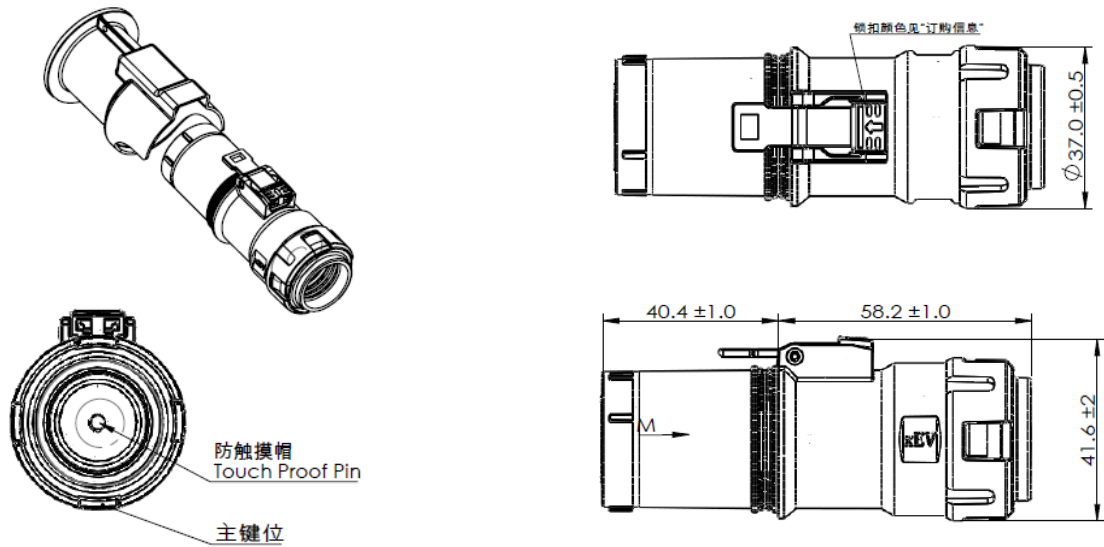


### Product Profile

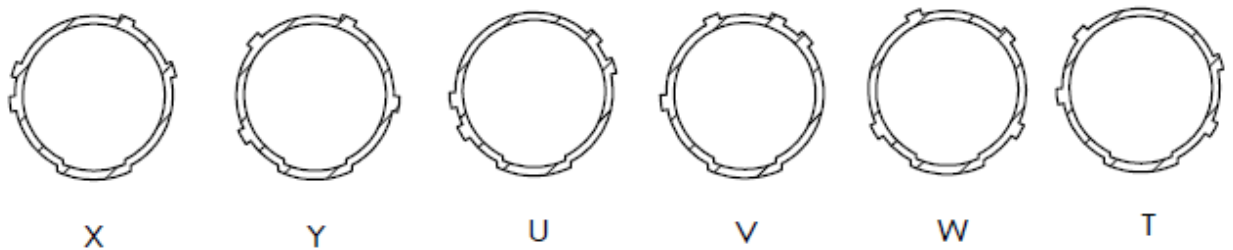


## TL500 Series

### Straight Plug Interface Dimensions



### Key Direction



### Angle Plug Interface Dimensions

